



SANYO Semiconductors

DATA SHEET

LB1838JM — Monolithic Digital IC Low-Saturation Bidirectional Motor Driver for Low-Voltage Drive

Overview

The LB1838JM is a low-saturation two-channel bidirectional motor driver IC for use in low-voltage applications. It has a wide operating temperature range of -40 to 80°C and is ideal for 2-phase excitation bipolar stepping motor driver IC used in automotive components (other than critical safety parts), consumer and industrial products, and many other applications.

Features

- Low voltage operation (2.5V min)
- Low saturation voltage (upper transistor + lower transistor residual voltage ; 0.40V typ at 400mA).
- Through-current prevention circuit built in
- Separate logic power supply and motor power supply
- Spark killer diodes built in
- Thermal shutdown circuit built in
- Compact package (14-pin MFP)

Specifications

Absolute Maximum Ratings at $T_a = 25^\circ\text{C}$

Parameter	Symbol	Conditions	Ratings	Unit
Maximum supply voltage	$V_{CC\ max}$		-0.3 to +10.5	V
	$V_S\ max$		-0.3 to +10.5	V
Output supply voltage	V_{OUT}		V_S to V_{SF}	V
Input supply voltage	V_{IN}		-0.3 to +10	V
GNP pin flow-out current	IGND	Per channel	1.0	A
Allowable power dissipation	$P_d\ max1$	Independent IC	550	mW
	$P_d\ max2$	* Mounted on a board.	800	mW
Operating temperature	T_{opr}		-40 to +85	°C
Storage temperature	T_{stg}		-55 to +150	°C

* Mounted on a substrate: $30 \times 30 \times 1.5\text{mm}^3$ glass epoxy board.

■ Any and all SANYO Semiconductor Co.,Ltd. products described or contained herein are, with regard to "standard application", intended for the use as general electronics equipment (home appliances, AV equipment, communication device, office equipment, industrial equipment etc.). The products mentioned herein shall not be intended for use for any "special application" (medical equipment whose purpose is to sustain life, aerospace instrument, nuclear control device, burning appliances, transportation machine, traffic signal system, safety equipment etc.) that shall require extremely high level of reliability and can directly threaten human lives in case of failure or malfunction of the product or may cause harm to human bodies, nor shall they grant any guarantee thereof. If you should intend to use our products for applications outside the standard applications of our customer who is considering such use and/or outside the scope of our intended standard applications, please consult with us prior to the intended use. If there is no consultation or inquiry before the intended use, our customer shall be solely responsible for the use.

■ Specifications of any and all SANYO Semiconductor Co.,Ltd. products described or contained herein stipulate the performance, characteristics, and functions of the described products in the independent state, and are not guarantees of the performance, characteristics, and functions of the described products as mounted in the customer's products or equipment. To verify symptoms and states that cannot be evaluated in an independent device, the customer should always evaluate and test devices mounted in the customer's products or equipment.

SANYO Semiconductor Co., Ltd.

TOKYO OFFICE Tokyo Bldg., 1-10, 1 Chome, Ueno, Taito-ku, TOKYO, 110-8534 JAPAN

LB1838JM

Allowable Operating Ranges at $T_a = 25^\circ\text{C}$

Parameter	Symbol	Conditions	Ratings	Unit
Supply voltage	V_{CC}		2.5 to 9.0	V
	V_S		1.8 to 9.0	V
Input high-level voltage	V_{IH}		1.8 to 9.0	V
Input low-level voltage	V_{IL}		-0.3 to +0.7	V

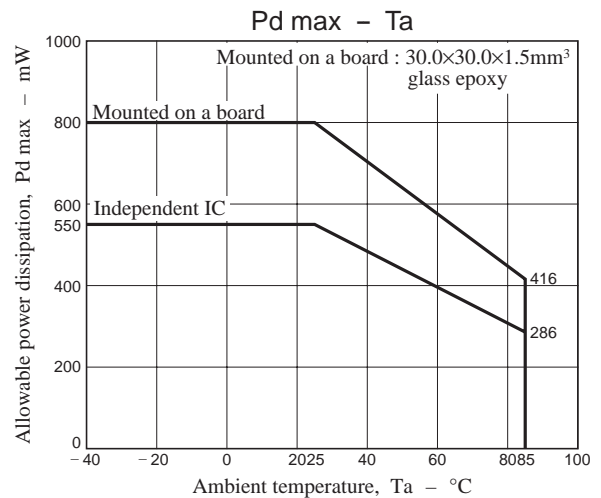
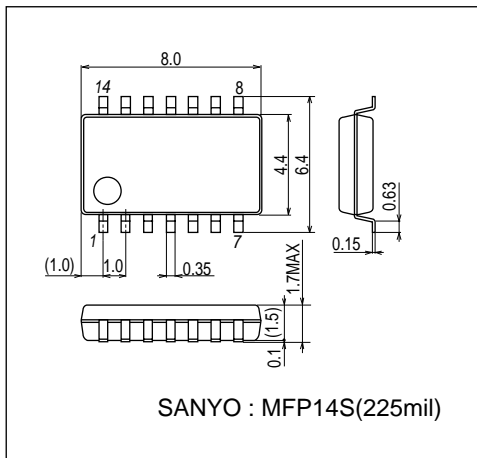
Electrical Characteristics at $T_a = 25^\circ\text{C}$, $V_{CC} = 3\text{V}$

Parameter	Symbol	Conditions	Ratings			Unit
			min	typ	max	
Supply current	I_{CC0}	EMA1, 2 = 0V, $V_{IN1} = 3\text{V}$ or 0V		0.1	10	μA
	I_{CC1}	EMA1 = 3V, $V_{IN1} = 3\text{V}$ or 0V		12	18	mA
Output saturation voltage	V_{OUT1}	EMA1 = 3V, $V_{IN1} = 3\text{V}$ or 0V, $I_{OUT} = 200\text{mA}$		0.20	0.28	V
	V_{OUT2}	EMA1 = 3V, $V_{IN1} = 3\text{V}$ or 0V, $I_{OUT} = 400\text{mA}$		0.40	0.60	V
Input current	I_{IN}	$V_{CC} = 6\text{V}$, $V_{IN} = 6\text{V}$			200	μA
	I_{ENA}	$V_{CC} = 6\text{V}$, ENA = 6V			200	μA
Output sustaining voltage	V_O (SUS)	$I_{OUT} = 400\text{mA}$	9			V
Spark killer diode						
Reverse current	I_S (leak)	V_{CC1} , $V_S = 7\text{V}$			30	μA
Forward voltage	V_{SF}	$I_{OUT} = 400\text{mA}$			1.7	V

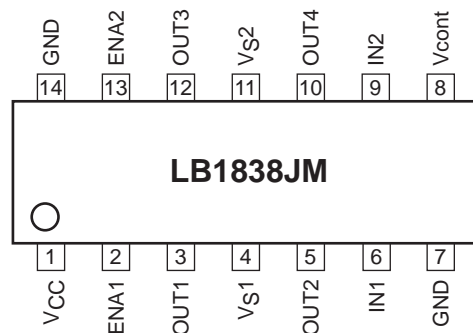
Package Dimensions

unit : mm (typ)

3111A



Pin Assignment

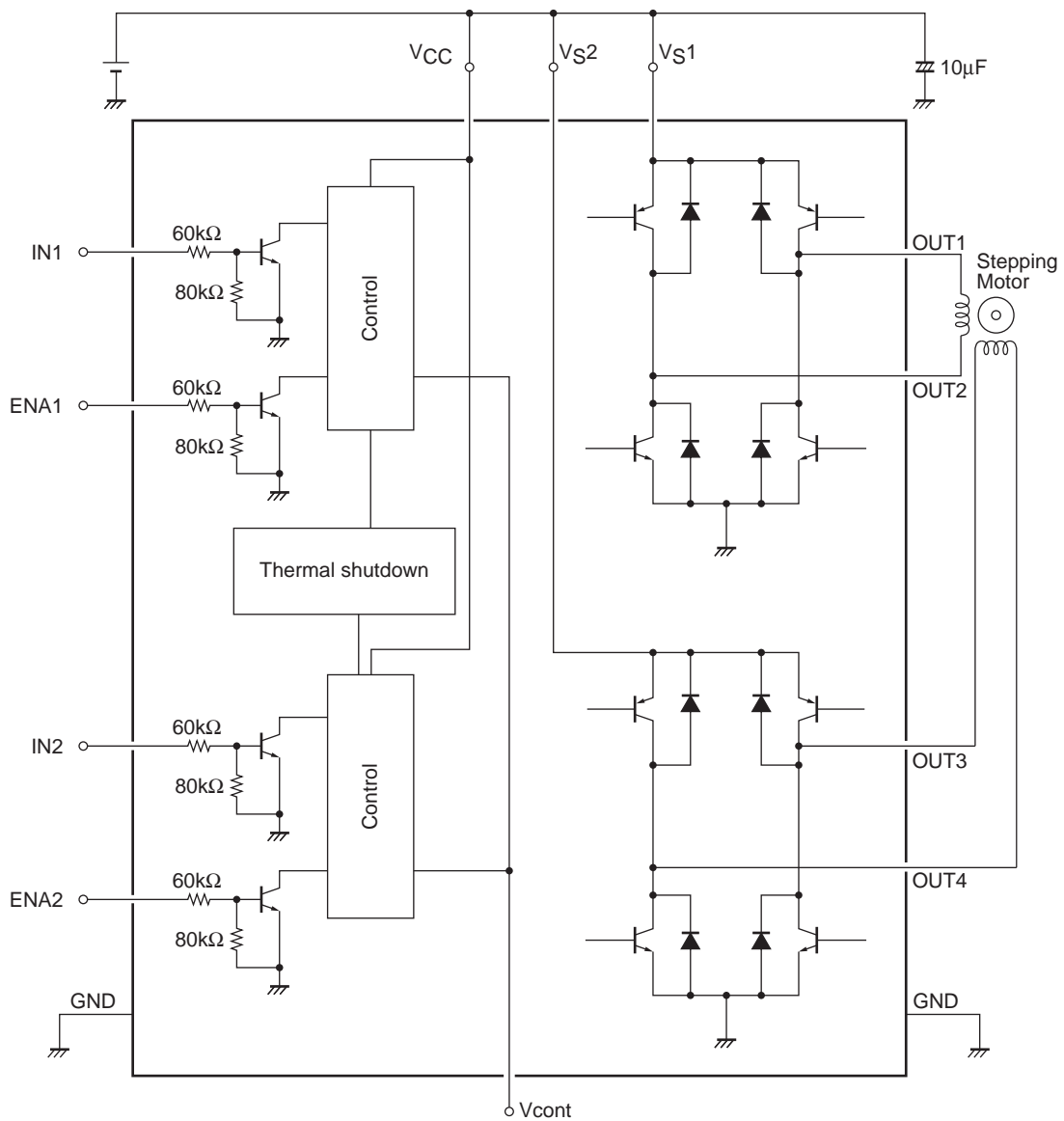


Top view

Note) Ground both GND pins.

LB1838JM

Block Diagram

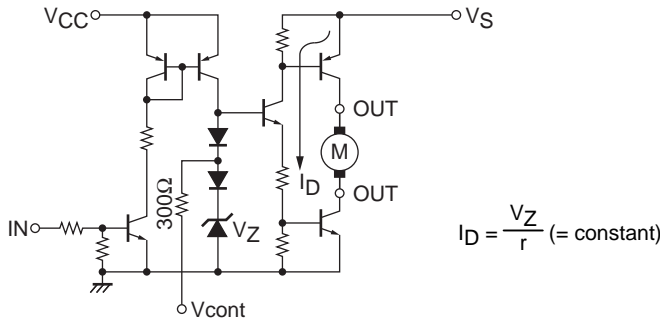


* : As long as the voltages applied to V_{CC} , V_{S1} , V_{S2} , $ENA1$, $ENA2$, $IN1$ and $IN2$ are within the limits set by the absolute maximum ratings, there are no restrictions on the relationship of each voltage level in comparison with the others (regarding which is higher or lower). (ex. $V_{CC} = 3V$, $V_{S1, 2} = 2V$, $ENA = IN = 5V$)

Truth Table

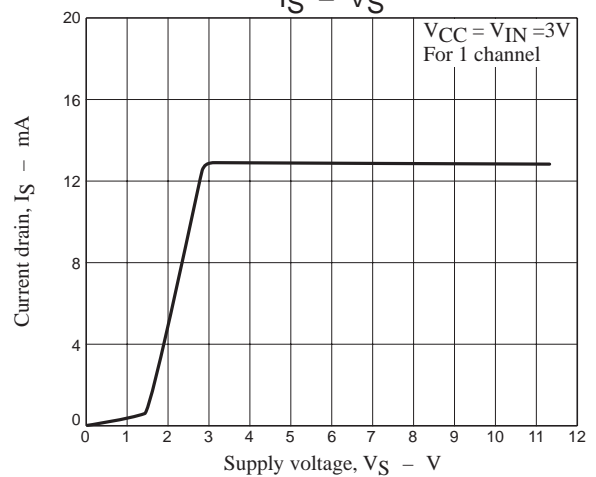
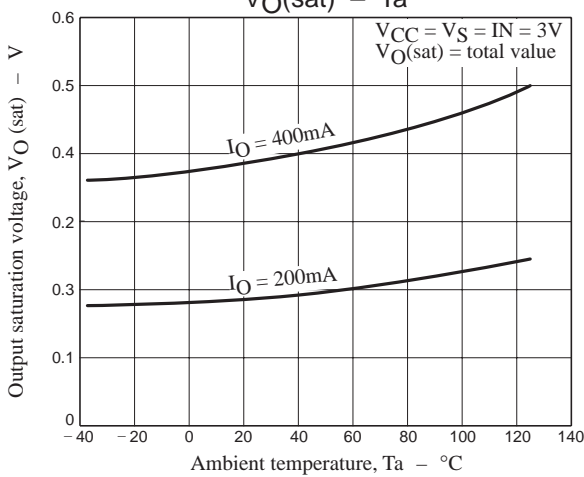
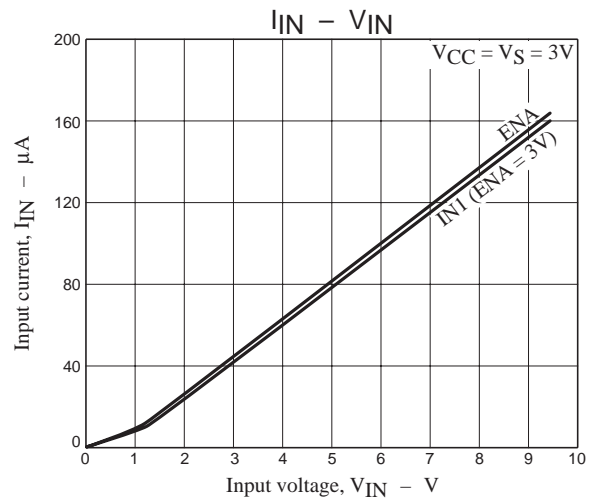
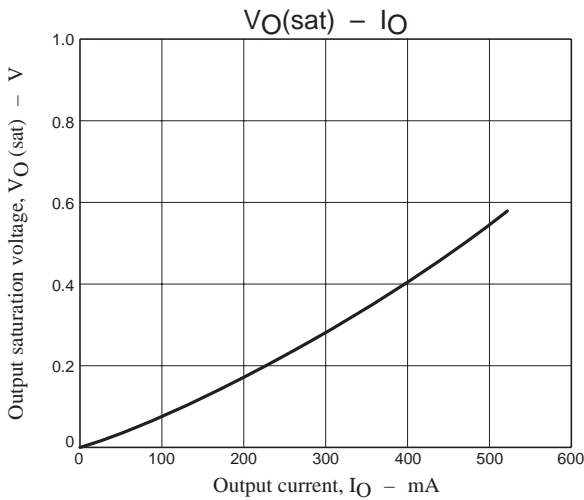
IN1/2	ENA1/2	OUT1/3	OUT2/4	Mode
L	H	H	L	Forward
H	H	L	H	Reverse
L	L	OFF	OFF	Standby
H	L	OFF	OFF	Standby

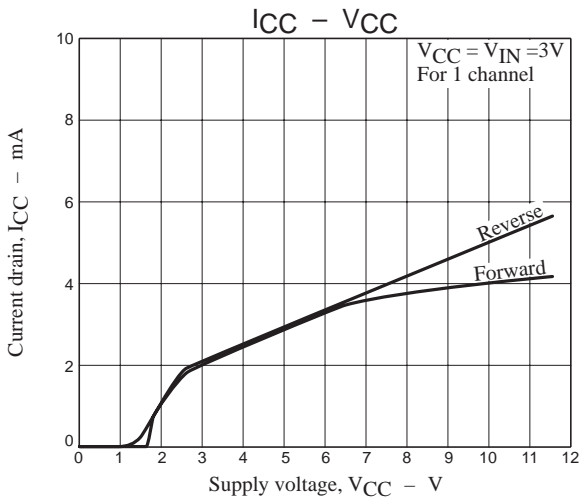
Vcont pin



As shown in the above diagram, the Vcont pin outputs the voltage of the band gap Zener $V_Z + V_F (=1.93V)$. In normal use, this pin is left open.

The drive current I_D is varied by the Vcont voltage. However, because the band gap Zener is shared, it functions as a bridge.





- SANYO Semiconductor Co.,Ltd. assumes no responsibility for equipment failures that result from using products at values that exceed, even momentarily, rated values (such as maximum ratings, operating condition ranges, or other parameters) listed in products specifications of any and all SANYO Semiconductor Co.,Ltd. products described or contained herein.
- SANYO Semiconductor Co.,Ltd. strives to supply high-quality high-reliability products, however, any and all semiconductor products fail or malfunction with some probability. It is possible that these probabilistic failures or malfunction could give rise to accidents or events that could endanger human lives, trouble that could give rise to smoke or fire, or accidents that could cause damage to other property. When designing equipment, adopt safety measures so that these kinds of accidents or events cannot occur. Such measures include but are not limited to protective circuits and error prevention circuits for safe design, redundant design, and structural design.
- In the event that any or all SANYO Semiconductor Co.,Ltd. products described or contained herein are controlled under any of applicable local export control laws and regulations, such products may require the export license from the authorities concerned in accordance with the above law.
- No part of this publication may be reproduced or transmitted in any form or by any means, electronic or mechanical, including photocopying and recording, or any information storage or retrieval system, or otherwise, without the prior written consent of SANYO Semiconductor Co.,Ltd.
- Any and all information described or contained herein are subject to change without notice due to product/technology improvement, etc. When designing equipment, refer to the "Delivery Specification" for the SANYO Semiconductor Co.,Ltd. product that you intend to use.
- Information (including circuit diagrams and circuit parameters) herein is for example only; it is not guaranteed for volume production.
- Upon using the technical information or products described herein, neither warranty nor license shall be granted with regard to intellectual property rights or any other rights of SANYO Semiconductor Co.,Ltd. or any third party. SANYO Semiconductor Co.,Ltd. shall not be liable for any claim or suits with regard to a third party's intellectual property rights which has resulted from the use of the technical information and products mentioned above.

This catalog provides information as of September, 2007. Specifications and information herein are subject to change without notice.