

Flow Range

0.001 to 2900 mL/min

MASTERFLEX®
Pump Heads

L/S®

L/S® Standard Pump Heads

Ideal for accurate and repeatable fluid transfer applications

- Available with PC housing with CRS or SS rotor, or PPS housing with SS rotor. PC housing and CRS rotors are more economical; PPS housing and SS rotors have excellent chemical resistance.
- Heads are fixed occlusion—models with clear PC housing let you see the pump in operation
- Mount up to four pump heads, depending on drive
- Patented pump head is compact and simple in design—easy to install into your OEM applications

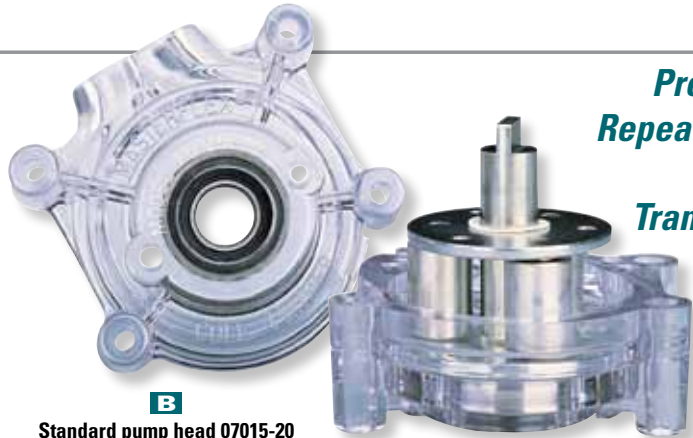
What's included: tubing loading key, a 15" (38-cm) length of silicone tubing, and single channel mounting hardware.

A Standard Pump Heads for Precision Tubing

- Perfect for common fluid transfer applications
- Flow rates: 0.001 to 2300 mL/min
- Tubing: Select a pump head for one of the following high-performance precision tubing sizes: L/S 13, L/S 14, L/S 16, L/S 17, or L/S 18

B Standard Pump Heads for High-Performance Precision Tubing

- Accepts our high-performance precision tubing—choose these pump heads for better pressure generation, suction lift, viscous fluid transfer, and longer tubing life
- Flow rates: 0.033 to 2900 mL/min
- Tubing: Select a pump head for one of the following high-performance precision tubing sizes: L/S 15, L/S 24, L/S 35, or L/S 36



B
Standard pump head 07015-20

**Precise
Repeatable
Fluid
Transfer!**

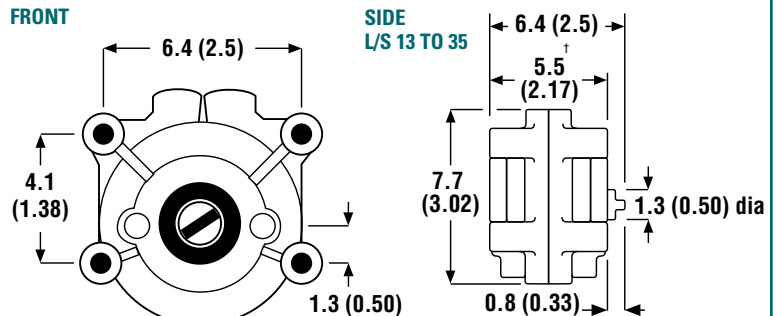
MORE online!

For a video demonstration of how easy it is to load your L/S standard pump head go to ... ColeParmer.com/LoadingPumpHeads

Or, scan the code! Use your mobile device to scan this QR code and go directly to the URL above. For details see page vii.



Dimensional Drawings cm (in.) 070XX-series



†6.1 cm (2.41") for L/S 36 standard pump head.

TECHNICAL information!

Use only Masterflex® precision pump tubing with Masterflex® pumps to ensure optimal performance. Use of other tubing brands may void applicable warranties. Order tubing on pages 1479-1485.



Specifications & Ordering Information

ISO9001:2000
SUPPLIER CERTIFIED **2** year warranty

Pump tubing size	mL per rev	Flow rates in mL/min		Maximum system pressure psi (bar)	Pump heads†		
		0.02 to 100 rpm	6 to 600 rpm		PC housing		PPS housing
					CRS rotor	SS rotor	SS rotor
A Standard pump heads for precision pump tubing							
L/S 13	0.06	0.001 to 6	0.36 to 36	40 (2.7)	S-07013-20	S-07013-21	S-07013-52
L/S 14	0.21	0.004 to 21	1.3 to 130	40 (2.7)	S-07014-20	S-07014-21	S-07014-52
L/S 16	0.8	0.016 to 80	4.8 to 480	40 (2.7)	S-07016-20	S-07016-21	S-07016-52
L/S 17	2.8	0.059 to 280	17 to 1700	20 (1.4)	S-07017-20	S-07017-21	S-07017-52
L/S 18	3.8	0.077 to 380	23 to 2300	15 (1.0)	S-07018-20	S-07018-21	S-07018-52
				Price			
B Standard pump heads for high-performance precision pump tubing							
L/S 15	1.7	0.033 to 170	10 to 1000	40 (2.7)	S-07015-20	S-07015-21	S-07015-52
L/S 24	2.8	0.057 to 280	17 to 1700	40 (2.7)	S-07024-20	S-07024-21	S-07024-52
L/S 35	3.8	0.077 to 380	23 to 2300	35 (2.4)	S-07035-20	S-07035-21	—
				Price			
L/S 36	4.8	0.096 to 480	29 to 2900	20 (1.4)	S-07036-30	S-07036-31	—
				Price			

†PC = polycarbonate PPS = polyphenylene sulfide CRS = cold-rolled steel SS = stainless steel

Mounting Hardware

Stack up to four L/S Standard pump heads on one drive (see drive specifications for recommended number of heads). Order hardware based on number of mounted pump heads. Hardware is stainless steel.

Hardware for Standard Heads L/S 13 to 35

Heads to be mounted	Catalog number	Price/st
One	S-07013-04	
Two	S-07013-05	
Three	S-07013-08	
Four	S-07013-09	

Hardware for Standard Heads L/S 36

Heads to be mounted	Catalog number	Price/st
One	S-07036-01	
Two	S-07036-02	