



SECTION 10

MICROWAVE REPAIR PARTS



10

SECTION INDEX

| | |
|-----------------------------|----|
| ↓ Magnetrons | 2 |
| ↓ Magnetron Inverter Type | 6 |
| ↓ Misc Parts | 6 |
| ↓ Repair Assistance & Tools | 7 |
| ↓ Switches | 8 |
| ↓ Diodes | 9 |
| ↓ Lamps | 10 |
| ↓ Roof / Door Liners | 11 |
| ↓ Misc Parts | 12 |
| ↓ Repair Assistance & Tools | 12 |
| ↓ Carousel Motors | 13 |
| ↓ Fuses | 13 |
| ↓ Capacitors | 14 |



10 MICROWAVE COMPONENTS

→ Magnetrons

MICROWAVE OVEN MAGNETRONS

These quality magnetrons will serve as replacements in a majority of ovens from many different manufacturers.

Manufacturer brand names stipulated on the label may change from listing.

Due to global supply sources may change labelling and/or manufacturer of some listed magnetrons. Units of better or equivalent specifications will be supplied if certain brands become unavailable. Use branding as a guide only.



WATTAGE

Wattage output is determined by the oven's internal circuitry such as the transformer voltages, capacitor values, etc, not necessarily just the magnetron.

A Higher Wattage Magnetron Can Be Used In A Lower Wattage Oven Safely.

Measurements are outer dimensions or centre hole/stud distances measured in millimetres. +/- 5mm
Again check the part numbers and dimensions as your best guide for selecting your replacement magnetron.

SERVICE TECHNICIANS

THIS IS NOT A HOBBY!
Please beware of what you are doing because inside microwaves have **LETHAL** voltages, even when the power is disconnected.

LETHAL VOLTAGES INSIDE
There is a rather large capacitor inside that stores thousands of volts. You should short this out to remove any residual charge that may harm you.

QUALIFIED PERSONAL ONLY
Know what you are doing!

Inverter Type Magnetrons OEM From Panasonic

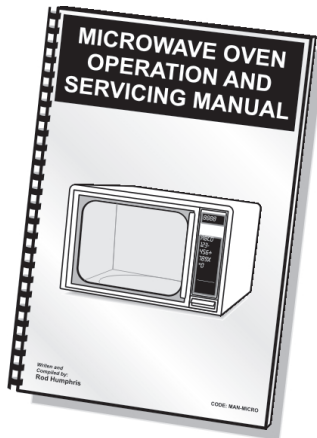
SEE PAGE 6...



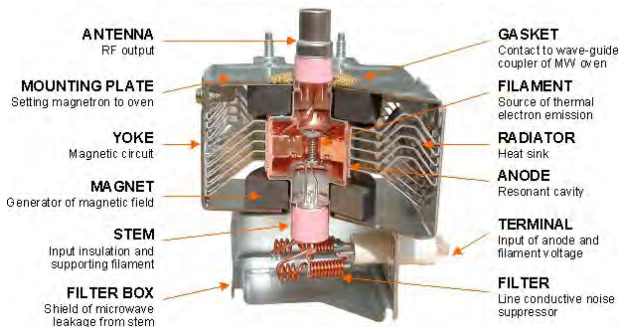
CHOOSING YOUR MAGNETRON

The important points to observe are:

- (A) Is it an "Inverter" type magnetron
See page 10-06 for Panasonic...
- (B) Will it physically fit in place.
Size & Mounting manner similar.
Note: Air flow in relation to the power socket and the tags.
- (C) Do the tags have bolts or not. The bolts can be removed if necessary.
- (D) After determining the physically same unit, you may find more than one similar to your magnetron, then:
- (E) Compare the P/No listed with each.
If missing or not listed, don't fret!
Just use the most similar magnetron fitting the criteria listed above.
- (F) Then pick your wattage...



Structure of Magnetron





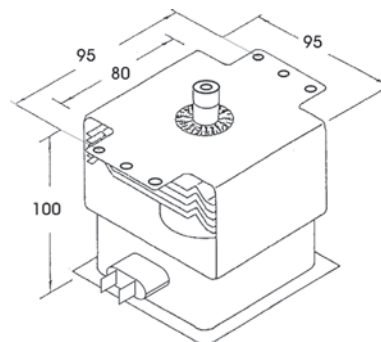
→ Magnetrons

ALL-INLINE



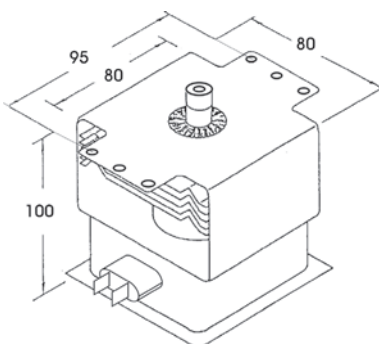
ALL-INLINE 850W

| | |
|--------|------------------|
| Size | 80x95x100mm |
| Watt | 850W |
| Freq. | 2458MHz |
| FV | 3.15V |
| PAV | 4000V |
| PAI | 300mA |
| Equiv. | Dae-Woo & Sanyo. |
| OEM | AWI |
| Code | AM741 |



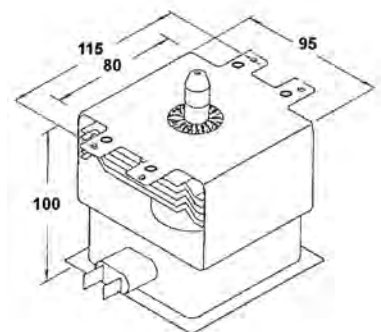
ALL-INLINE 850W

| | |
|------------------|--|
| Size | 80x80x100mm |
| Watt | 950W |
| Freq. | 2460MHz |
| FV | 3.3V 12A |
| PAV | 4500V |
| PAI | 350mA |
| Original Part No | 2M214, 2M218/H, 2M238, MS194W, 4150021502, 6324W1A003C |
| Brand | LG |
| Equiv. | Daewoo, Sanyo... |
| Code | AM742 |



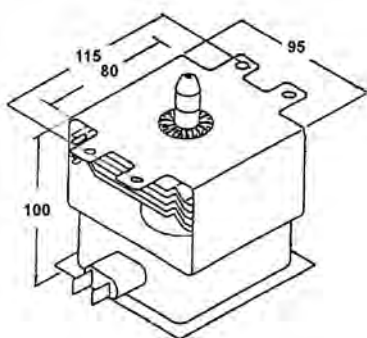
ALL-INLINE 1KW

| | |
|--------|---|
| Size | 80x95x100mm |
| Watt | 1000W |
| Freq. | 2458MHz |
| FV | 3.3V |
| PAV | 4000V |
| PAI | 300mA |
| Equiv. | A670-IH, 2M107A(94), 2M247H(B), OM75(020), S107HB |
| OEM | AWI |
| Code | AM724 |



ALL-INLINE 850W

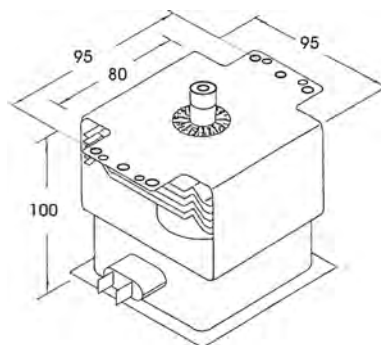
| | |
|--------|--|
| Size | 80x95x100mm |
| Watt | 850W |
| Equiv. | AM703, NN8509, A670FOH-CK, 2M210M1, NN8509 |
| OEM | AWI |
| Code | MAG703 |



Tags are inline with the air vent & power socket. Referred to as All-In-Line. A higher wattage unit can be used safely in a Lower power oven. Brands supplied may change. Diagrams may differ slightly.

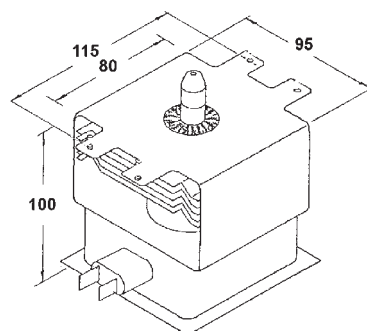
ALL-INLINE 1KW

| | |
|------------------|-------------------------------|
| Size | 80x95x100mm |
| Watt | 1000 (1KW) |
| Freq. | 2460MHz |
| FV | 3.15V |
| PAV | 4350V |
| PAI | 330mA |
| Original Part No | 2M248H, 2M248H-B, 6324W1A001N |
| Code | MAG2481 |



ALL-INLINE 850W

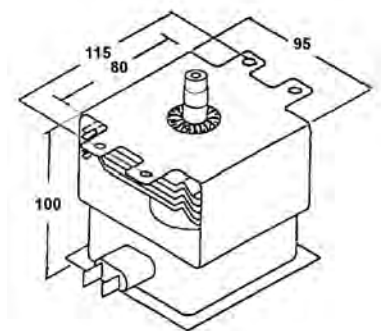
| | |
|--------|--|
| Size | 80x95x100mm |
| Watt | 850W |
| Freq. | 2458MHz |
| FV | 3.15V |
| PAV | 4000V |
| PAI | 300mA |
| Equiv. | A670-IH, 2M224(62), 2M172AH/DW/P/HB, RVMZA047WREO, 2M219HB, 2M107A-33/94, OM75-020, S107HB |
| OEM | AWI |
| Code | AM707 |



ALL-INLINE 1KW

GENUINE SHARP OEM

| | |
|--------|-------------------------------------|
| Size | 80x95x100mm |
| Watt | 1000W |
| FV | 4.35V(Peak) |
| Equiv. | RV-MZ A295, 2M248H(L), 350 562 0254 |
| OEM | Original Sharp |
| Code | MAG295 |





10 MICROWAVE COMPONENTS

→ Magnetrons

TAGS INLINE SOCKET NOT-INLINE

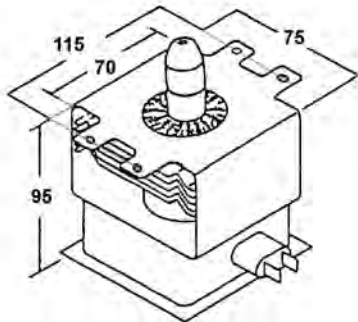


NOTE:
Tags are inline with the air vent but are NOT inline with the power socket.
Tags Inline - Socket Not Inline
A higher wattage unit can be used safely in a Lower power oven.

TAGS INLINE SOCKET NOT-INLINE 600W

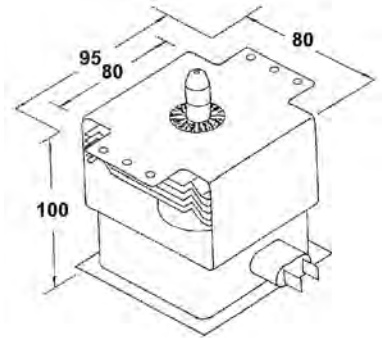
General Replacement
Compact Microwave

Size 70x75x95mm
Watt 600W
Original AM698,
OM52-S11
Code MAG698



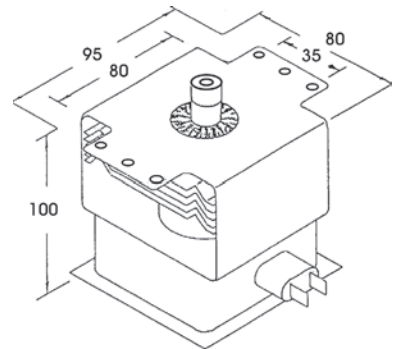
TAGS INLINE SOCKET NOT-INLINE 910W

Size 80x80x100mm
Watt 910W
Freq. 2460MHz
FV 3.75V 10.5A
PAV 4100V
PAI 1200mA
Equiv. 2B71732A,
2B71732B,
2M214-39,
2M218JXZ,
2M218JQZ,
2M229JCL,
AM734,
EAS50093701,
MS305CL
Code MAG710



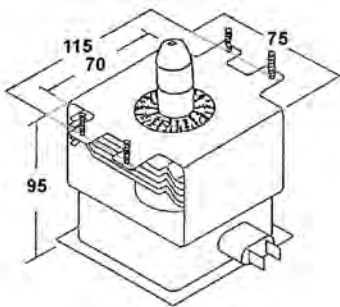
TAGS INLINE SOCKET NOT-INLINE 950W

Size 80x80x100mm
Watt 950W
Freq. 2460MHz
FV 3.3V 12.5A
PAV 4500V
PAI 350mA
Original 2M214, 2M214.
Part No A01GLK,
2B71732G
Code AM743



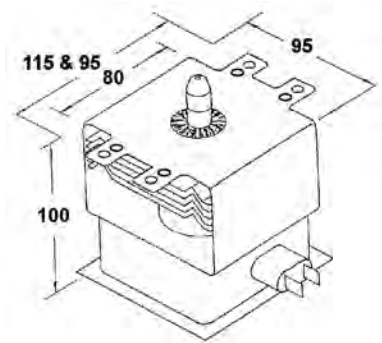
STUDS INLINE SOCKET NOT-INLINE 600W

Size 70x75x95mm
Watt 600W
Original AM700,
Part No OM52-S10,
2M209A
Code MAG700



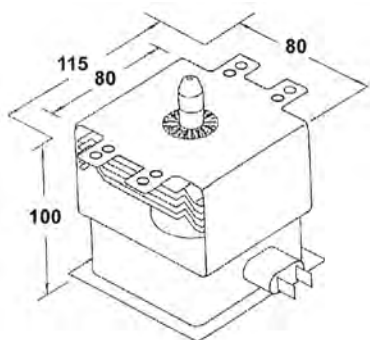
TAGS INLINE SOCKET NOT-INLINE 850W

Size 80x95x100mm
Watt 850W
Freq. 2458MHz
FV 3.15V
PAV 4000V
PAI 300mA
Equiv. A670-OH,
2M107A,
2M204M3,
2M219JB,
2M240J(Y),
OM75(11),
S107JB
OEM AWI
Code AM701



TAGS INLINE SOCKET NOT-INLINE 850W

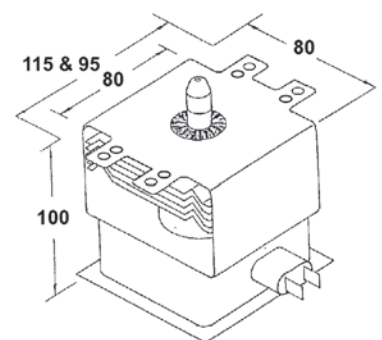
Size 80x80x100mm
Watt 850W
Freq. 2458MHz
FV 3.3V
PAV 4000V
PAI 300mA
Original A650-OH,
2M207-22,
2M218-JB
OEM AWI
Code AM717



TAGS INLINE SOCKET NOT-INLINE 850W

General Replacement
OM75S-11 and more...

Size 80x95x100mm
Watt 850W
Code MAG701



*AWI

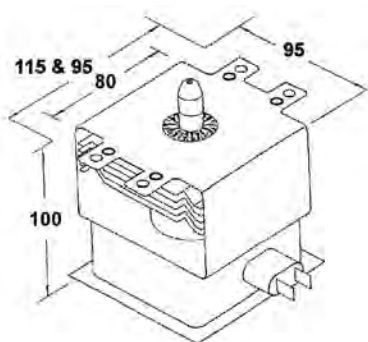
Please note that the Brand may change.



→ Magnetrons

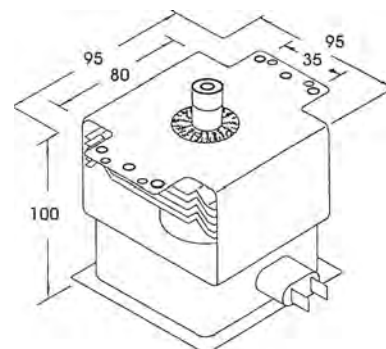
TAGS INLINE SOCKET NOT-INLINE 1KW

| | |
|--------|---|
| Size | 80x95x100mm |
| Watt | 1000 (1KW) |
| Freq. | 2458MHz |
| FV | 3.3V |
| PAV | 4000V |
| PAI | 300mA |
| Equiv. | AM670-OH, 2M240J(Y), 2M247JB, S107JB |
| OEM | AWI |
| Code | AM723 |



TAGS INLINE SOCKET NOT-INLINE 1.2KW

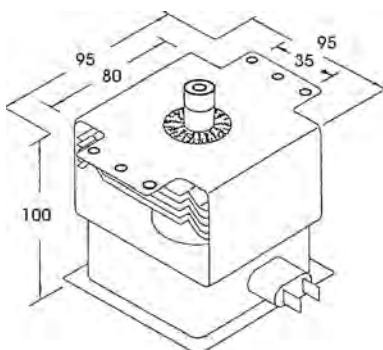
| | |
|------------------|-----------------------|
| Size | 80x95x100mm |
| Watt | 1200W |
| Freq. | 2470MHz |
| FV | 3.6V 12A |
| PAV | 4850V |
| PAI | 330mA |
| Original Part No | 2M246, 6324W1A001L |
| Brand | "LG"* |
| Code | MAG2463 |



*Brand may change.

TAGS INLINE SOCKET NOT-INLINE 1KW

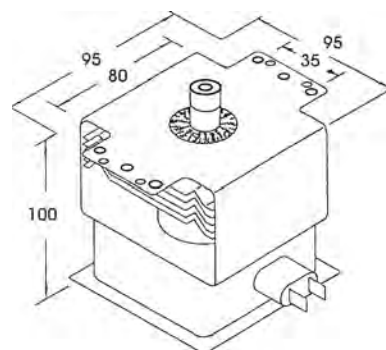
| | |
|------------------|--------------------------------|
| Size | 80x95x100mm |
| Watt | 1025W |
| Freq. | 2460MHz |
| FV | 3.15V 12A |
| PAV | 4850V |
| PAI | 380mA |
| Original Part No | 2M248J, MS364F, 6324W1A001A |
| Brand | "Toshiba"* |
| Code | AM727 |



*Brand may change.

TAGS INLINE SOCKET NOT-INLINE 1.1KW

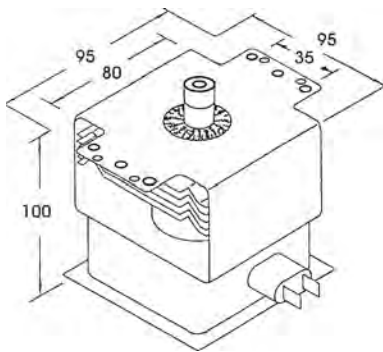
| | |
|------------------|-------------------------------------|
| Size | 80x95x100mm |
| Watt | 1080W |
| Freq. | 2460MHz |
| FV | 3.15V 12.5A |
| PAV | 4850V |
| PAI | 380mA |
| Original Part No | 2M282J, MS4842HB, 6324W1A001E |
| Brand | "Toshiba"* |
| Code | MAG2821 |



*Brand may change.

TAGS INLINE SOCKET NOT-INLINE 1KW

| | |
|------------------|-----------------------|
| Size | 80x95x100mm |
| Watt | 1025W |
| Freq. | 2460MHz |
| FV | 3.15V 12A |
| PAV | 4850V |
| PAI | 380mA |
| Original Part No | 2M246, 6324W1A001L |
| Brand | "LG"* |
| Code | MAG2461 |

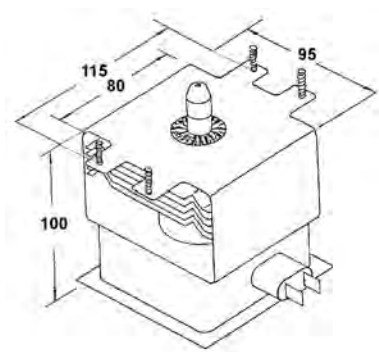


*Brand may change.

STUDS INLINE SOCKET NOT-INLINE 850W

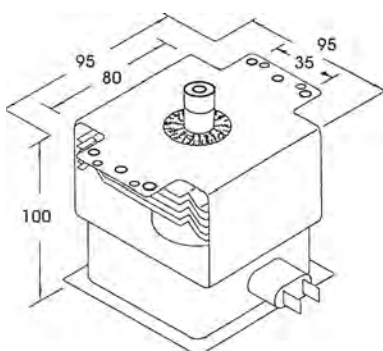
General Replacement

| | |
|------------------|-----------------------|
| Size | 80x95x115mm |
| Watt | 850W |
| Original Part No | OM75S-10, NL2555-1 |
| Code | MAG702 |



TAGS INLINE SOCKET NOT-INLINE 1.1KW

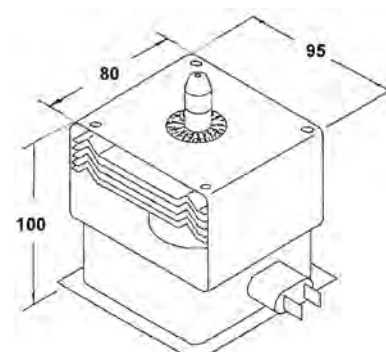
| | |
|------------------|-----------------------|
| Size | 80x95x100mm |
| Watt | 1100W |
| Freq. | 2460MHz |
| FV | 3.15V 12.5A |
| PAV | 4850V |
| PAI | 380mA |
| Original Part No | 2M246, 6324W1A001B |
| Brand | "LG"* |
| Code | MAG2462 |



*Brand may change.

NO TAGS NOT-INLINE 850W

| | |
|------------------|---|
| Size | 95x80x100mm |
| Watt | 850W |
| Original Part No | CK623HY, A670- HY, 2M214-06, 2M172-ADWI/ JYB, 2M172(YC), OM75(51), S107JYB |
| Code | MAG935 |



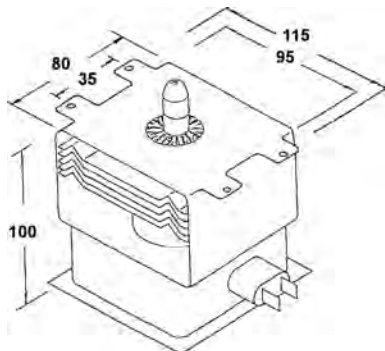


10 MICROWAVE COMPONENTS

→ Magnetrons

TAGS NOT-INLINE SOCKET NOT-INLINE 850W

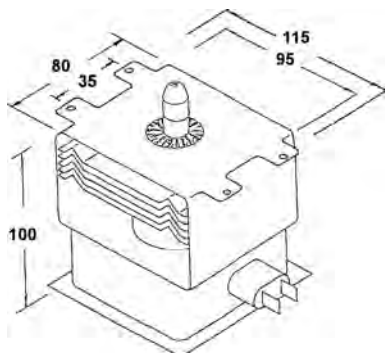
| | |
|--------|--|
| Size | 95x80x100mm |
| Watt | 850W |
| Freq. | 2458MHz |
| FV | 3.15V |
| PAV | 4000V |
| PAI | 300mA |
| Equiv. | A670-FOH, 2M107A325, 2M157M1, 2M161, 2M172FJB, 2M210M1, OM75(11), S107FJB |
| OEM | AWI |
| Code | AM703 |



TAGS NOT-INLINE SOCKET NOT-INLINE 850W

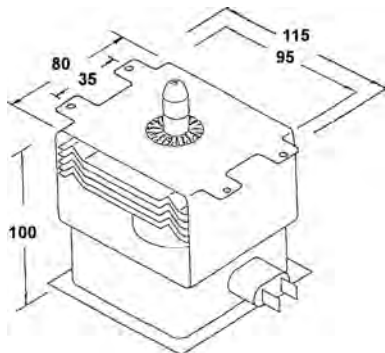
General Replacement

| | |
|------|---|
| Watt | 850W |
| Suit | A670-FOH, AM703, DE03-30012A, OM75S-31D, OM75SD-31, 2M204-M1, 2M210-M1, 2M244-M1, 2M244-M23, many others |
| Code | MAG708 |



TAGS NOT-INLINE SOCKET NOT-INLINE 1KW

| | |
|------------------|-------------|
| Size | 95x80x100mm |
| Watt | 1000 (1KW) |
| Original Part No | 2M244-M23 |
| Code | MAG709 |



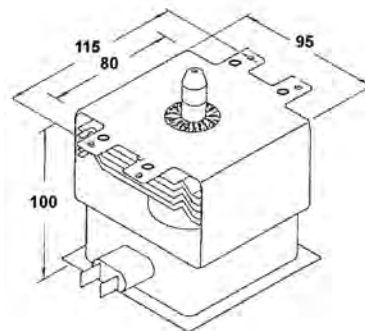
→ Magnetron Inverter Type

PANASONIC INVERTER TYPE

TWO MODELS:

| | |
|------|-----------|
| Code | 2M236M42E |
| | 2M261M32G |

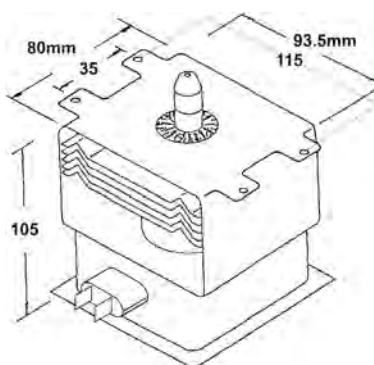
WARNING! Use for Inverter type ovens only!



PANASONIC INVERTER TYPE

| | |
|------|-----------|
| Code | 2M261-M22 |
|------|-----------|

WARNING! Use for Inverter type ovens only!



→ Misc Parts

PANASONIC SMPS PARTS

TWO TRANSISTOR OEM KIT

Update Kit from Panasonic
Includes Two Transistors
Original Part No.
A691E4V00GPS, Original Part No. A691E4V10GP,
Circuit Reference – P/No:
Q701 *GT60N321 (G60N90)
AESCGT60N321,
Circuit Reference – P/No: Q702
1M30D-060 AESPGT30J322

PARTS KIT

| | |
|------|--------|
| Code | KIT691 |
|------|--------|



MORE SMPS PARTS

MAY ALSO REQUIRE REPLACING

The following are parts that the manufacturer recommends replacing:

BRIDGE RECTIFIER

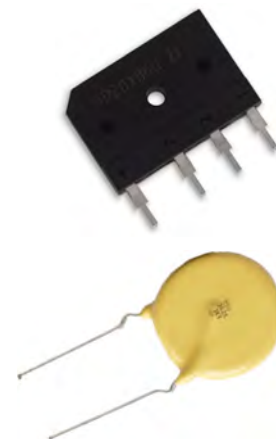
| | |
|------------------|-------------|
| Original Part No | AESTRBV6206 |
| Code | D20XB60 |

362K 3KV CAP

| | |
|------------------|---------------|
| Original Part No | ECKK3FF362KDU |
| Code | DE3600 |

CAPACITORS

See last page or See Section 2 COMPONENTS



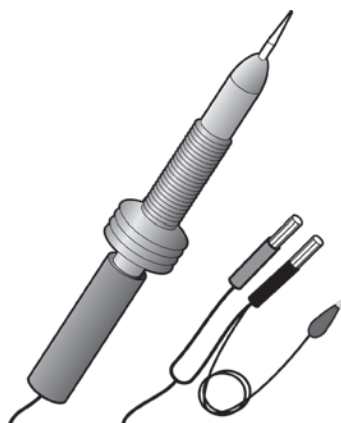


→ Repair Assistance & Tools

HIGH VOLTAGE PROBE

DON'T GET ZAPPED!
Test the capacitor for voltage first. Also for checking correct voltage and rectification, etc.
40KV. ±2% 1GΩ 1000:1 ratio.
Suitable for Analogue & Digital Multi-meters.

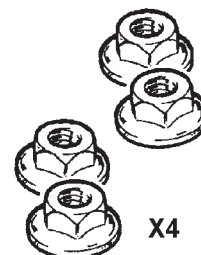
Code
HV40



MAGNETRON FIXING NUTS

Supplied in a bag of four.

Code
M35

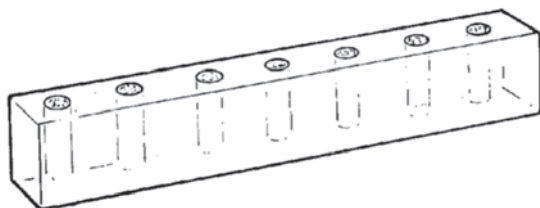


X4

NEON MICROWAVE TESTER

Indicates the existence of microwave energy distribution within the oven cavity with a dancing light display.

Code
TM319



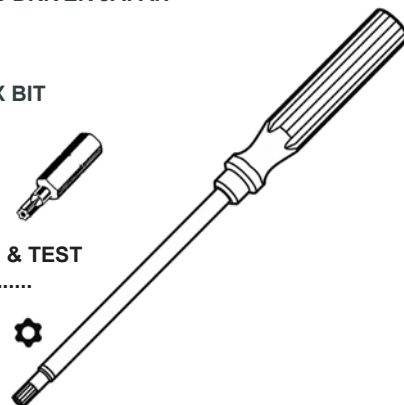
SCREW DRIVERS & FIXING NUTS

TORX SECURITY SCREW DRIVER JAPAN

Code
HT15H

TORX SECURITY 1/4" HEX BIT

Code
HEX815



SEE SECTION 14 TOOLS & TEST EQUIPMENT FOR MORE.....

MICROWAVE LEAKAGE METER

Detect and measure 2450MHz microwave leaks from door seals, etc.
3 Digit meter 0 to 9.99mW/cm² with a 5mW/cm² alarm.
+/-1dB accuracy.
160x60x42mm hand-held.
Max-Hold. Zero set. Back light.
Includes protective carry pouch.
Requires 9V battery.

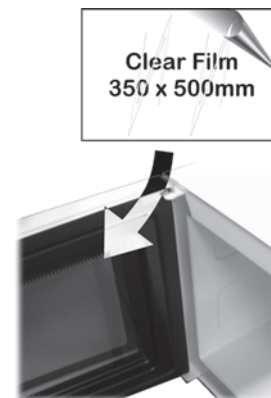
Code
DT2G



INNER DOOR LINING

Clear transparent film.
Heat and microwave proof type plastic.
A replacement for the damaged inner linings of oven doors.
With sticky adhesive on one side for application. Simply cut to size and stick on!

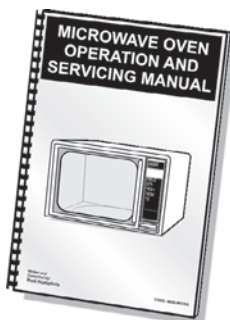
Size Code
500x350mm ADF535



MICROWAVE MANUAL

There are many dangers involved in servicing microwave ovens. You should prepare yourself with information on the correct safety precautions and basic operations. This 66 page book offers all this information and much more including oven testing, door leakage, cooking sensors, common faults and diagnostic flow charts, popular circuits, and lots of general knowledge for microwave servicing. A must for every workshop or even for those of you who are curious about how these things operate.

Code
MAN-MICRO



SECURITY TAMPER LABELS

"WARNING WARRANTY VOID IF SEAL BROKEN OR TAMPERED WITH."

Place over screws and seals to prevent tampering. Suit repair shops, etc. Special type sticker that will not peel off in one go. Convenient dispenser box.

Type QTY Code
Roll 500 pcs WL500





10 MICROWAVE COMPONENTS

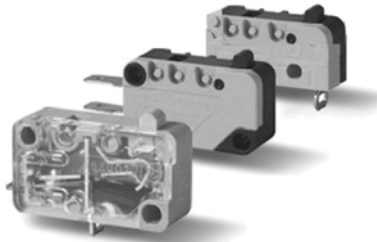
10 MICROWAVE COMPONENTS

→ Switches

MICRO-SWITCH

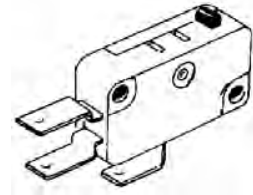
PREMIUM GRADE

Safety switches need to be reliable and dependable. Change your door switch with genuine quality...



MICRO-SWITCH

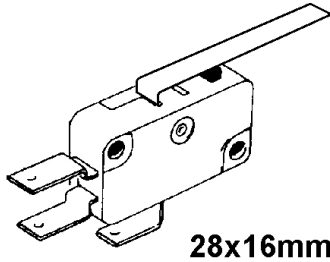
Microwave oven Micro switches. As used for door catch and open latch mechanisms. Available in 1/4" & 3/16" Terminal contacts.



SWITCH ECONOMY 10A 6.3mm [16mm]

Single Pole Double Throw
6mm Spade Contacts

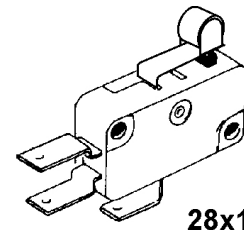
| Power | Lever | Code |
|-------|-------|--------|
| 10A | 25mm | SWM420 |



ROLLER-LEVER SWITCH 6.3mm [14mm]

Roller wheel for mechanical triggering
14mm lever length
10A 250Vac FTM

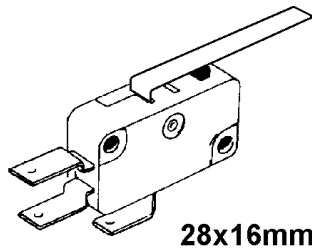
| Code |
|--------|
| SWM424 |



SWITCH ECONOMY 15A 6.3mm [16mm]

Single Pole Single Throw

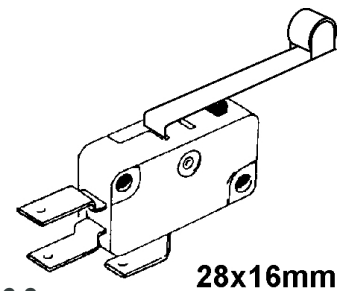
| Power | Code |
|------------|--------|
| 15A 240Vac | SW1600 |



ROLLER-LEVER SWITCH 6.3mm [28mm]

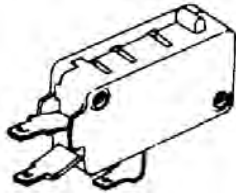
Roller wheel for mechanical triggering
28mm lever length 3A
250V / 6A 110V

| Code |
|--------|
| SWM425 |



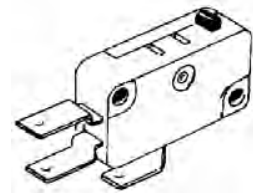
SWITCH ECONOMY 15A 4.6mm

| Power | Tags | Code |
|-------|-------|-------|
| 15A | 4.6mm | MS107 |



SWITCH ECONOMY 16A 6.3mm

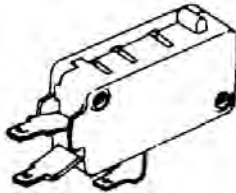
| Power | Tags | Code |
|-------|-------|-------|
| 16A | 6.3mm | MS106 |



SWITCH LIGHT PRESSURE 16A 4.6mm

| Power | Tags | Code |
|-------|-------|-------|
| 16A | 4.6mm | MS298 |

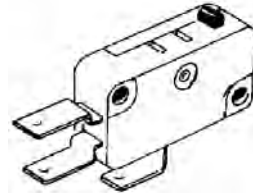
Honeywell



SWITCH LIGHT PRESSURE 16A 6.3mm

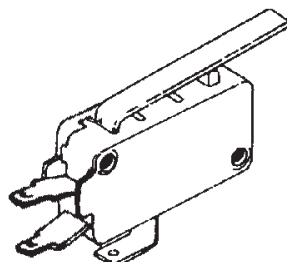
| Power | Tags | Code |
|-------|-------|-------|
| 16A | 6.3mm | MS301 |

Honeywell



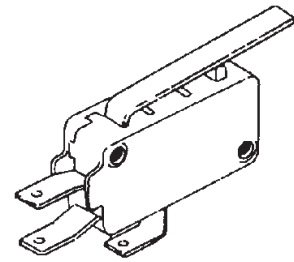
SWITCH LEVER ACTION 16A 4.6mm [25mm]

| Lever | Power | Tags | Code |
|-------|-------|-------|-------|
| 25mm | 16A | 4.6mm | MS199 |



SWITCH LEVER ACTION 16A 6.3mm [25mm]

| Lever | Power | Tags | Code |
|-------|-------|-------|-------|
| 25mm | 16A | 6.3mm | MS202 |





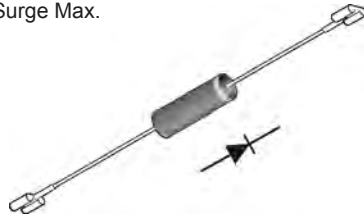
→ **Diodes**

HVR-1X-3T RECTIFIER DIODE

HVCA 12KV 500mA 8mS 30A Surge Max.
6mm Spade - 4mm Spade

SPADE TERMINALS

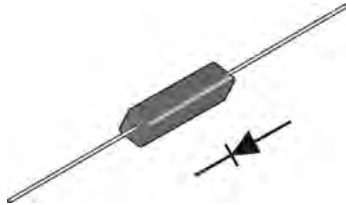
Code
HD200



PANASONIC STACK DIODE

A6202-4N10T
(D701 & D702)

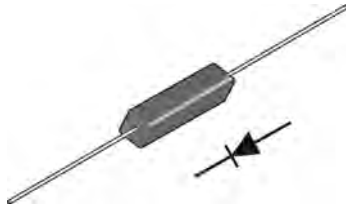
Code
UX-C2B



HVR-1X-4 RECTIFIER DIODE

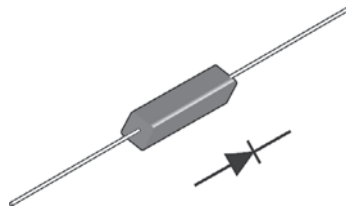
10K Volts, 500mA
Genuine OEM.
No Terminals

Code
HVR1X4



2X062H RECTIFIER DIODE

Code
2X062H



HV05-12 RECTIFIER DIODE

HV05 550mA 12KV Rectifier
DIODE ONLY

Code
HV05-12

4.3mm → RING

Code
ZA511



6.0mm → RING

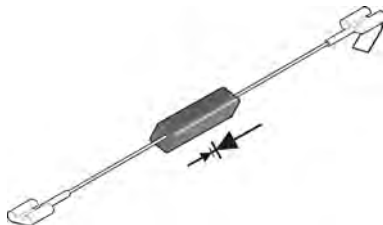
Code
ZA521

MICROWAVE SHORT PROTECTOR

Diode HVR-2X062H,
HVR-062, D208,
A606V4760JP,
A606V5110BP.

6mm & 6mm

Code
HD208



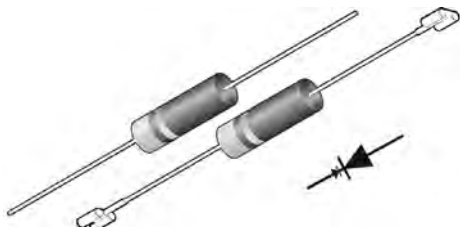
MICROWAVE SHORT PROTECTOR

NO TERMINALS
HVR2X062H 6KV

Code
HV6X2P

6mm → 6mm

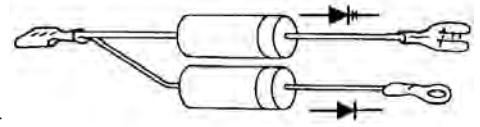
Code
ZA530



DIODE SET

Common microwave replacement set. HV6X2P & HV05-12
Supplied already wired with connectors (6mm).

Code
ZA018

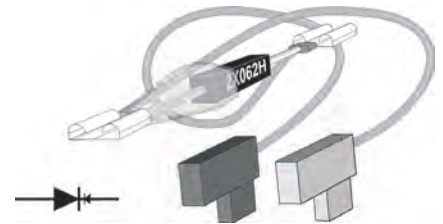


eg. Replacement for
SHARP FHD ZA017 WREO

PANASONIC PROTECTOR DIODE

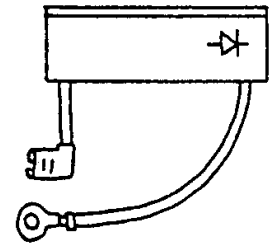
Original cabling
A606V5110BP
Diode 2X062H

Code
MWD606



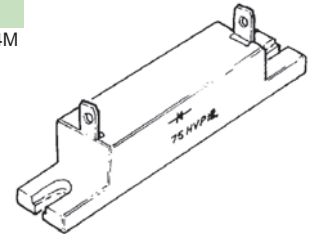
ANE6202 DIODE

Original Part No Code
ANE6202-C90 eq MWD90
to ANE6202-F50



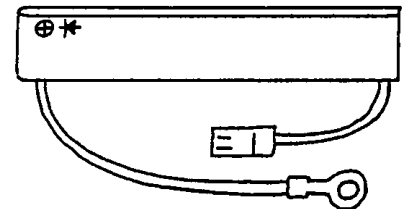
75HVP10 DIODE

| Original Part No | Power | Code |
|------------------|-------------|--------|
| 75-HVP16 | 16KV, 750mA | HD204M |



ANE6202B60AP DIODE

Code
MWD60



HIGH VOLTAGE DIODES

**TO RECTIFY & TO PROTECT
REMEMBER TO DISCHARGE THE
HIGH-VOLTAGE CAPACITORS !**

Generally Protection Diodes
fail by going short-circuit.
Always replace BOTH Diodes





10 MICROWAVE COMPONENTS

→ Lamps

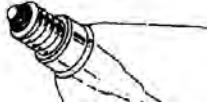
LAMPS - MICROWAVE CONVECTION & FRIDGE

All lamps are premium quality, designed for use in microwaves.

CONVECTION or Temp=300°C
will tolerate heat of convection ovens.

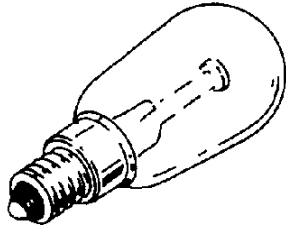
Any lamps will suit fridges, etc.
Pictures are accurate at the time of printing but may vary slightly.

E17 = 17mm
E14 = 14mm



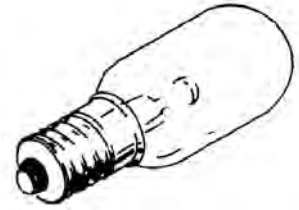
AWI LAMP E14 NARROW

| | | |
|-------|------------|------------|
| Base | E14 (14mm) | E14 (14mm) |
| Volts | 240Vac | 240Vac |
| Watt | 25W | 15W |
| Temp | 300°C | - |
| Code | CL807 | CL802 |



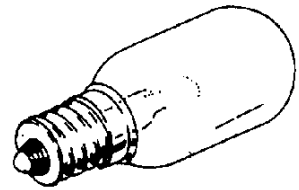
AWI LAMP E17 NARROW

| | |
|-------|--------|
| Base | E17 |
| Volts | 240Vac |
| Watt | 20W |
| Temp | STD |
| Code | CL821 |



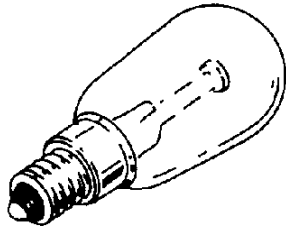
LAMP E17 NARROW 125VAC

| | |
|-------|--------|
| Base | E17 |
| Volts | 125Vac |
| Watt | 20W |
| Code | MWL40 |



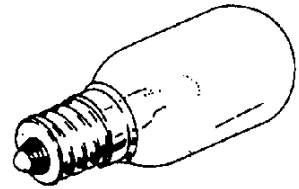
PANASONIC E14 NARROW

| | |
|-------|--------------|
| Base | E14 SES |
| Volts | 240Vac |
| Watt | 25W |
| Temp | 300°C |
| OEM | ANE6030Q50GN |
| Code | MWL50 |



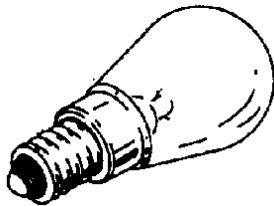
LAMP E17 NARROW

| | |
|-------|-------------|
| Base | E17 |
| Volts | 240Vac |
| Watt | 20W |
| Temp | 300°C |
| OEM | A60304080BP |
| Code | MWL80 |



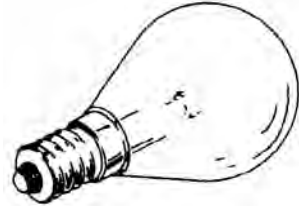
AWI LAMP E14 PEAR

| | |
|-------|---------|
| Base | E14 SES |
| Volts | 240Vac |
| Watt | 15W |
| Temp | 300°C |
| Code | CL806 |



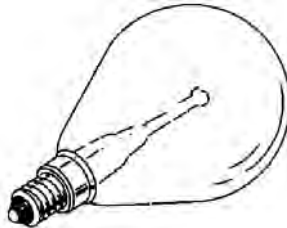
AWI LAMP E17 ROUND 250V

| | | |
|-------|--------|--------|
| Base | E17 | E17 |
| Volts | 240Vac | 125Vac |
| Watt | 25W | 25W |
| Temp | 300°C | - |
| Code | CL816 | MWL817 |



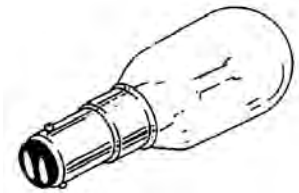
AWI LAMP E14 ROUND

| | |
|-------|---------|
| Base | E14 SES |
| Volts | 240Vac |
| Watt | 40W |
| Code | CL801 |



AWI LAMP B15 NARROW

| | |
|-------|---------|
| Base | B15 SBC |
| Volts | 240Vac |
| Watt | 15W |
| Code | CL803 |



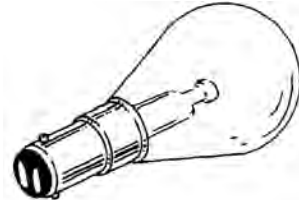
AWI LAMP E14

| | | |
|-------|---------|---------|
| Base | E14 SES | E14 SES |
| Volts | 240Vac | 130Vac |
| Watt | 25W | 25W |
| Code | CL818 | CL819 |



AWI LAMP B15 ROUND

| | |
|-------|---------|
| Base | B15 SBC |
| Volts | 240Vac |
| Watt | 25W |
| Code | CL808 |



SHARP LAMP

Horizontal Type
RLMPUA001WRE0,
350 626 0293

Code
LMP001



AWI LAMP B22 NARROW

| | | |
|-------|---------|---------|
| Base | BC B22D | BC B22D |
| Volts | 240Vac | 240Vac |
| Watt | 15W | 25W |
| Code | CL804 | CL809 |

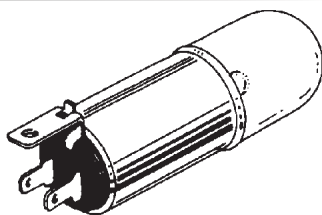




→ Lamps

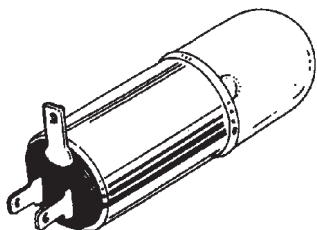
AWI LAMP & BRACKET

| | |
|-------|--------------|
| Volts | 240Vac |
| Watt | 25W |
| Tags | 4.3mm |
| Suit | NEC & others |
| Code | CL823 |



AWI LAMP & BRACKET

| | |
|-------|------------------|
| Volts | 240Vac |
| Watt | 25W |
| Tags | 4.3mm |
| Suit | Toshiba & others |
| Code | CL825 |



AWI LAMP & BRACKET

High-temp bulb & base as one 40mm between mounting holes with socket receptacle.

| | |
|-------|--------|
| Volts | 240Vac |
| Watt | 25W |
| Tags | 4.3mm |
| Code | CL831 |



AWI LAMP & BRACKET

Hi-Temp bulb & base as one. 40mm between mounting holes. 25mmØ Bulb. 66mm total height.

| | |
|-------|--------|
| Volts | 240Vac |
| Watt | 25W |
| Tags | 6mm |
| Code | CL827 |



AWI LAMP & BRACKET

Hi-Temp bulb & base as one. 40mm between mounting holes. 25mmØ Bulb. 66mm total height.

| | |
|-------|--------|
| Volts | 240Vac |
| Watt | 25W |
| Tags | 4.3mm |
| Code | CL828 |



AWI LAMP & BRACKET

Hi-Temp bulb & base as one. 40mm between mounting holes. 25mmØ Bulb. 66mm total height.

| | |
|-------|------------|
| Volts | 240Vac |
| Watt | 25W |
| Tags | 4.3mm pair |
| Code | CL832 |



AWI LAMP & BRACKET

PANASONIC F612E4Y00XP Y9N01

Hi-Temp bulb & base as one. 40mm between mounting holes. 25mmØ Bulb. 66mm total height.

| | |
|-------|---------|
| Volts | 240Vac |
| Watt | 25W |
| Tags | 6 + 4mm |
| Code | F612E4 |



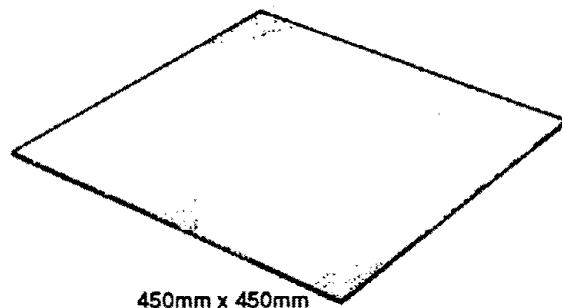
→ Roof / Door Liners

ROOF LINER 450mm

Simply cut to shape.

MICA

| | |
|-------------|--------|
| Size | Code |
| 450 x 450mm | RF501M |



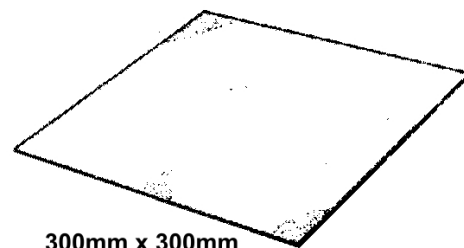
450mm x 450mm

ROOF LINER 300mm

Simply cut to shape.

MICA

| | |
|-------------|--------|
| Size | Code |
| 300 x 300mm | RF502M |



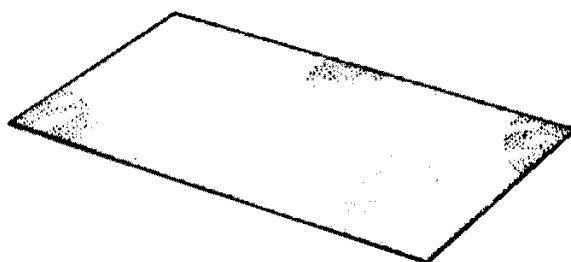
300mm x 300mm

ROOF LINER 127mm

Simply cut to shape.

MICA

| | |
|-------------|--------|
| Size | Code |
| 203 x 127mm | RF504M |



INNER DOOR LINING

Clear transparent replacement for linings of oven doors. With sticky adhesive on one side.

| | |
|-----------|--------|
| Size | Code |
| 500x350mm | ADF535 |



Clear Film
350 x 500mm



10 MICROWAVE COMPONENTS

10 MICROWAVE COMPONENTS

→ Misc Parts

MICROWAVE VARISTOR

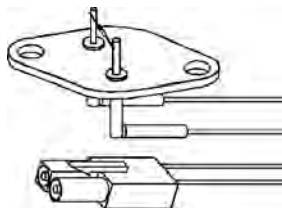
| Original Part No | Code |
|------------------|--------|
| ANE604V820JN | MWV820 |



SHARP THERMISTOR

Convection Microwave Temperature sensor

| Original Part No | Code |
|------------------|-------|
| FH-HZA010WREO | ZA010 |
| FH-HZA011WREO | |



SHARP THERMISTOR

Convection Microwave Temperature sensor

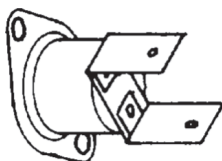
| Original Part No | Code |
|------------------|-------|
| FH-HZA105WREZ | ZA105 |



THERMAL CUT-OFFS 10A

| Temp | Code |
|-------|--------|
| 70°C | MWT70 |
| 75°C | MWT75 |
| 80°C | MWT80 |
| 85°C | MWT85 |
| 90°C | MWT90 |
| 95°C | MWT95 |
| 100°C | MWT100 |
| 105°C | MWT105 |
| 110°C | MWT110 |
| 115°C | MWT115 |
| 120°C | MWT120 |
| 125°C | MWT125 |
| 130°C | MWT130 |
| 135°C | MWT135 |
| 140°C | MWT140 |
| 145°C | MWT145 |
| 150°C | MWT150 |
| 155°C | MWT155 |
| 160°C | MWT160 |
| 165°C | MWT165 |

Self Resetting
10A 240VAC
Available in °C



MICROWAVE GLASS TRAY

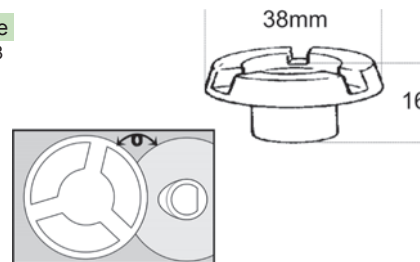
320mm O/D

| Suit | Type | Code |
|----------------|----------|-------|
| Sanyo & others | Trigonal | GT252 |



TRAY COUPLER

| Suit | Type | Code |
|----------------|-----------------------|------|
| Sanyo & others | Trigonal to Half Moon | NT48 |



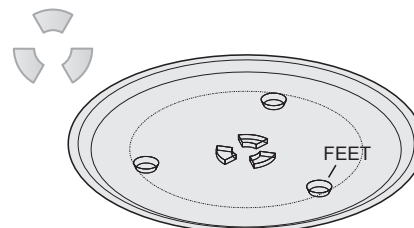
MICROWAVE GLASS TRAYS

Glass platter with feet

| Size | Code |
|-------|-------|
| 270mm | TR270 |
| 315mm | TR315 |

TR320 without feet.

| Size | Code |
|-------|-------|
| 320mm | TR320 |



→ Repair Assistance & Tools

PORTABLE APPLIANCE TESTER

As part of the OHS laws in Australia (May Vary Between States) it is required to regularly check power cables, power boards, appliances such as electric power tools, microwave ovens, plug-in air conditioners, toasters, vacuum cleaners, computers, etc. to ensure that the equipment is electrically safe. The Kyoritsu 6201A is hand-held portable appliance tester that ensures the Safety of Class I and Class II appliances, Extension leads and Leakage Current. Large LCD displays the mains voltage, plus other functions. 4 LED indicators and buzzer sound identifies if each test has passed or failed. Fuse protected. Includes Mains cord, Test lead with safety alligator clip / probe attachments & Extension lead test cable. Made in Japan. Pass / Fail Stickers Not Included. See Below.

| Code |
|---------|
| AT6201A |

PASS / FAIL STICKERS

On completion of each test of the appliance / cable it is required to be labelled with a PASS or FAIL sticker that is filled in with identification details.

PASS STICKER ROLL OF 250 PIECES

| Code |
|-----------|
| PASS-TAGS |

FAIL STICKER ROLL OF 250 PIECES

| Code |
|-----------|
| FAIL-TAGS |

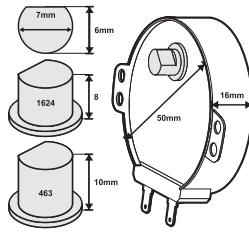




→ Carousel Motors

CAROUSEL MOTOR 3/4 MOON 8/10mm

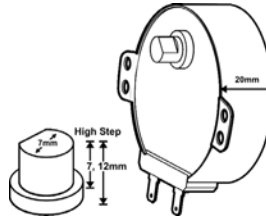
| | | |
|--------------|-------------|---------------------|
| Shaft-Height | 8mm | 10mm |
| Voltage | 240VAC 2.5W | |
| Speed | 5RPM | |
| OEM | GM1624FKC2 | SSM16H C2B72754F |
| Code | MWM1624 | TTM463 |



CAROUSEL MOTOR 3/4 MOON 12mm

Body Height 20mm Shaft 3/4 moon

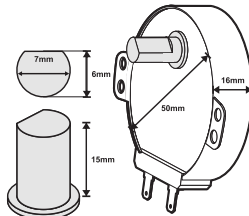
| | |
|--------------|-------------|
| Shaft-Height | 12mm |
| Voltage | 240VAC 2.5W |
| Speed | 2.5RPM |
| OEM | MULJ24ZB73 |
| Code | MWM462 |



CAROUSEL MOTOR 3/4 MOON 16mm

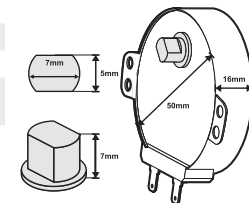
Body Height 15mm Shaft 3/4 moon

| | |
|--------------|-------------|
| Shaft-Height | 16mm |
| Voltage | 240VAC 2.5W |
| Speed | 5 RPM |
| OEM | GM1624FEK1 |
| Code | MWM467 |



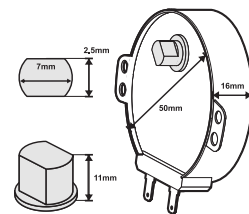
CAROUSEL MOTOR DOUBLE-FLAT 7mm

| | |
|--------------|-----------------------------------|
| Shaft-Height | 7mm |
| Volts | 240VAC 3.5W |
| Speed | 2.5 RPM |
| OEM | RMOTDA091 RMOTDA133 M2LJ24ZA02 |
| Code | MWM91 MWM133 |



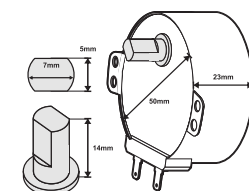
CAROUSEL MOTOR DOUBLE-FLAT 11mm

| | |
|--------------|-------------|
| Shaft-Height | 11mm |
| Voltage | 240VAC 2.5W |
| Speed | 2.5 RPM |
| Code | TTM468 |



CAROUSEL MOTOR DOUBLE-FLAT 14mm

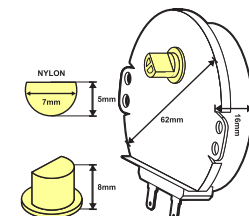
| | |
|--------------|----------------------------|
| Shaft-Height | 14mm |
| Voltage | 240VAC 4W |
| Speed | 2.5 RPM |
| OEM | A63265450QP A63265451QP |
| Code | MWM450 |



CAROUSEL MOTOR WIDE FLANGE

NYLON SHAFT

| | |
|--------------|----------------------------|
| Shaft-Height | 10mm |
| Voltage | 21VAC 3W |
| Speed | 2.5 RPM |
| OEM | GM-16-2F302 6549W1S017A |
| Code | MWM6549 |

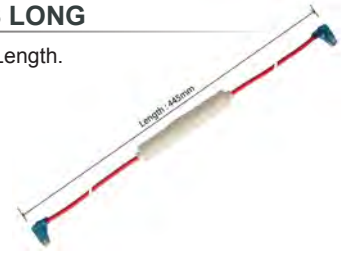


→ Fuses

MICROWAVE 5KV FUSES LONG

Fuse, holder, 6mm tags, 450mm Length.

| Rating | Code |
|--------|--------|
| 600mA | MWF60 |
| 700mA | MWF70 |
| 750mA | MWF75 |
| 800mA | MWF80 |
| 850mA | MWF85 |
| 1Amp | MWF100 |



MICROWAVE 5KV FUSES SHORT

Fuse, holder, 6mm tags, 320mm Length.

| Rating | Code |
|--------|---------|
| 600mA | HVF600 |
| 650mA | HVF650 |
| 700mA | HVF700 |
| 750mA | HVF750 |
| 800mA | HVF800 |
| 850mA | HVF850 |
| 900mA | HVF900 |
| 950mA | HVF950 |
| 1Amp | HVF1000 |



FUSES

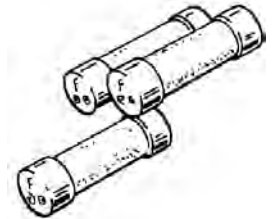
TOO MANY TO LIST HERE !

GLASS FUSES Common Types CERAMIC FUSES Fast Blow Types A comprehensive range of fuses. See Section 2 Components...

AWI FUSES 5 x 20mm

Ceramic tube Brass nickel plated contact cups
Time delay(T) High breaking capacity.

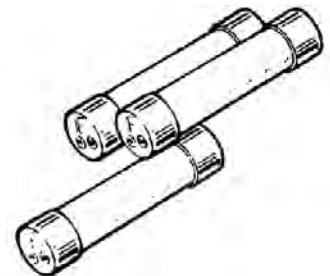
| Rating | Code |
|--------|---------|
| 125mA | AFD.125 |
| 250mA | AFD.250 |
| 1A | AFD1 |
| 1.25A | AFD1.25 |
| 1.6A | AFD1.6 |
| 2A | AFD2 |
| 2.5A | AFD2.5 |
| 3.15A | AFD3.15 |
| 5A | AFD5 |
| 6.3A | AFD6.3 |
| 8A | AFD8 |
| 10A | AFD10 |
| 12.5A | AFD12.5 |



AWI FUSES 6.3 x 32mm

Ceramic tube Brass nickel plated contact cups
Time delay(T) High breaking capacity.

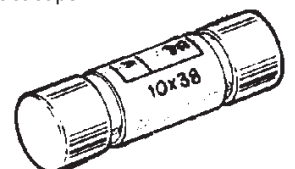
| Rating | Code |
|--------|---------|
| 1A | AFC1 |
| 1.5A | AFC1.5 |
| 1.6A | AFC1.6 |
| 2A | AFC2 |
| 3.15A | AFC3.15 |
| 5A | AFC5 |
| 6.3A | AFC6.3 |
| 7A | AFC7 |
| 8A | AFC8 |
| 10A | AFC10 |
| 12A | AFC12 |
| 15A | AFC15 |
| 16A | AFC16 |
| 20A | AFC20 |



AWI FUSES 10 x 38mm

Ceramic tube Brass nickel plated contact cups
Time delay(T) High breaking capacity.

| Rating | Code |
|--------|-------|
| 8A | HRC8 |
| 10A | HRC10 |
| 16A | HRC16 |
| 20A | HRC20 |
| 32A | HRC32 |





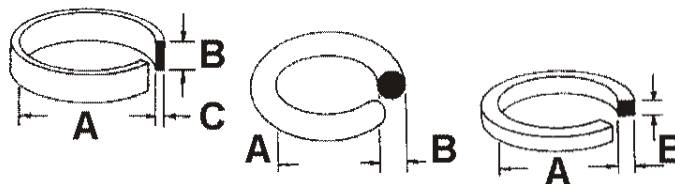
10 MICROWAVE COMPONENTS

→ Misc Parts

MICROWAVE OVEN BELTS

High temperature tolerant. As used to rotate trays in ovens.

| Original Part No | A | B | C | Length | Type | Code |
|------------------|-----|-----|--------|--------|----------|--------|
| ANE4060-850 | 95 | 7.0 | 0.6 | 300 | Neoprene | MWB95 |
| ANE4060-820 | 100 | 7.5 | 0.6 | 320 | Neoprene | MWB100 |
| ANE4060B60AP | 110 | 7.0 | 0.6 | 340 | Neoprene | MWB110 |
| ANE4110-820 | 260 | 3.0 | Square | 800 | Neoprene | MWB260 |
| ANE4110-860 | 280 | 3.0 | Square | 880 | Neoprene | MWB280 |
| ANE2132580AP | 175 | 2.5 | Round | 550 | Neoprene | MWB175 |

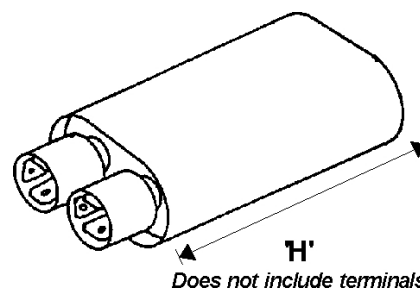


→ Capacitors

CAPACITORS

Correct metal can type replacement capacitors to suit microwave ovens

| Value | Voltage | Height | Width | Depth | TAB. | Type | Code |
|--------|---------|--------|-------|-------|-------|----------------|----------|
| 0.60µF | 2100 | 85 | 53 | 33 | 6.3mm | | MWC601 |
| 0.86µF | 2100 | 70 | 53 | 33 | 6.3mm | | MWC86 |
| 0.90µF | 2100 | 70 | 53 | 33 | 6.3mm | | MWC612 |
| 0.91µF | 2100 | 80 | 53 | 33 | 6.3mm | | MWC91 |
| 0.91µF | 2350 | 100 | 53 | 33 | 6.3mm | | MWC604 |
| 0.95µF | 2100 | 75 | 53 | 33 | 6.3mm | | MWC613 |
| 0.97µF | 2100 | 97 | 52 | 33 | 6.3mm | | MWC97 |
| 1.00µF | 2100 | 80 | 53 | 33 | 6.3mm | | MWC614 |
| 1.05µF | 2100 | 90 | 53 | 33 | 6.3mm | | MWC615 |
| 1.07µF | 2100 | 85 | 50 | 32 | 6.3mm | Sharp Original | MWC107 |
| 1.07µF | 2100 | 75 | 53 | 32 | 6.3mm | | MWC631 |
| 1.07µF | 2200 | 90 | 52 | 33 | 6.3mm | Sharp Original | MWC633 |
| 1.10µF | 2100 | 80 | 53 | 33 | 6.3mm | | MWC616 |
| 1.13µF | 2100 | 84 | 52 | 31 | 6.3mm | Sharp Original | MWC113 |
| 1.13µF | 2100 | 90 | 53 | 33 | 6.3mm | | MWC628 |
| 1.14µF | 2100 | 90 | 53 | 33 | 4.6mm | | MWC114-4 |
| 1.14µF | 2100 | 79 | 53 | 33 | 6.3mm | | MWC114-6 |



ORIGINAL SHARP CAPACITORS

| Original Part No | Value | Voltage | Height | Width | Depth | TAB. | Code |
|--|--------|---------|--------|-------|-------|-------|--------|
| Sharp RCQZA192WREO, RCQZA068WREO, RCQZA075WREO | 1.13µF | 2100 | 84 | 52 | 31 | 6.3mm | MWC113 |
| Sharp RCQZA172WREO | 1.07µF | 2100 | 85 | 50 | 32 | 6.3mm | MWC107 |
| Sharp RCQZA215WREO | 1.07µF | 2200 | 90 | 52 | 33 | 6.3mm | MWC633 |



→ Repair Assistance & Tools

MICROWAVE REPAIR ASSISTANCE MANUAL

There are many dangers involved in servicing microwave ovens. You should prepare yourself with information on the correct safety precautions and basic operations. This 66 page book offers all this information and much more including oven testing, door leakage, cooking sensors, common faults and diagnostic flow charts, popular circuits, and lots of general knowledge for microwave servicing. A must for every workshop or even for those of you who are curious about how these things operate.

Code
MAN-MICRO

