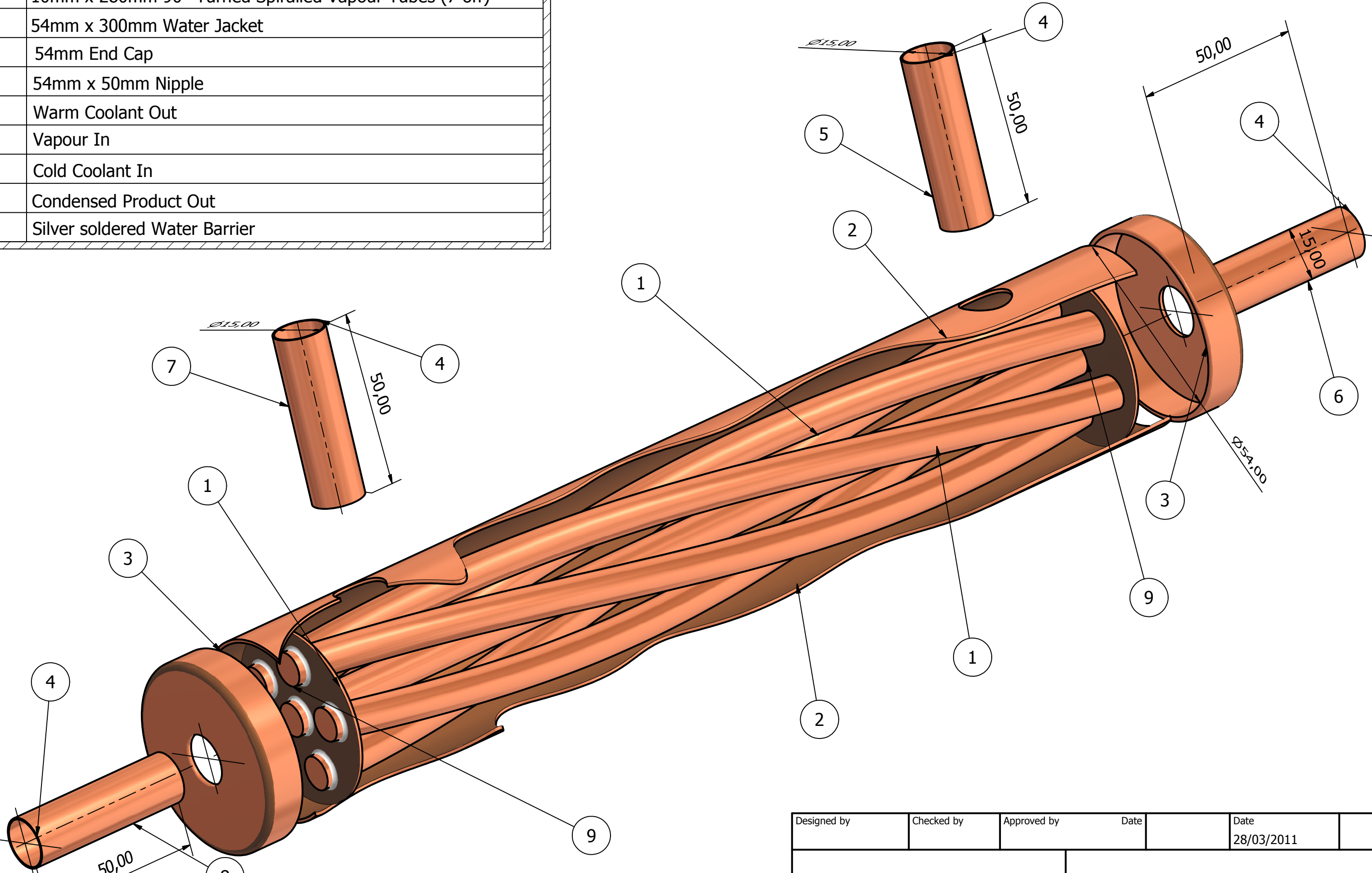


The 2" x 12" Spiralled Shotgun Condenser

Legend Information

1	10mm x 280mm 90° Turned Spiralled Vapour Tubes (7 off)
2	54mm x 300mm Water Jacket
3	54mm End Cap
4	54mm x 50mm Nipple
5	Warm Coolant Out
6	Vapour In
7	Cold Coolant In
8	Condensed Product Out
9	Silver soldered Water Barrier



Designed by	Checked by	Approved by	Date	Date	
				28/03/2011	
			54mm Spiralled Shotgun		
			Edition		Sheet
					1 / 1