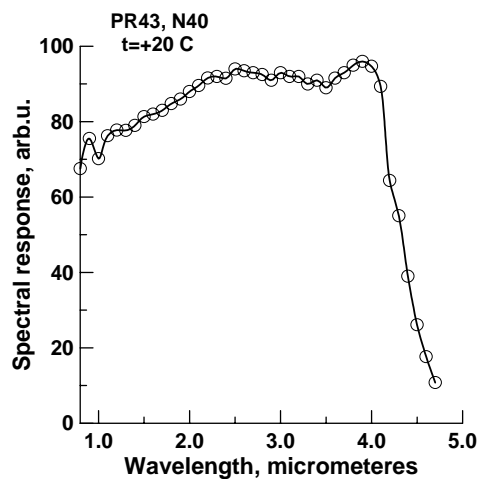


# PR43 MID-IR PHOTORESISTOR

**Material: PbSe**

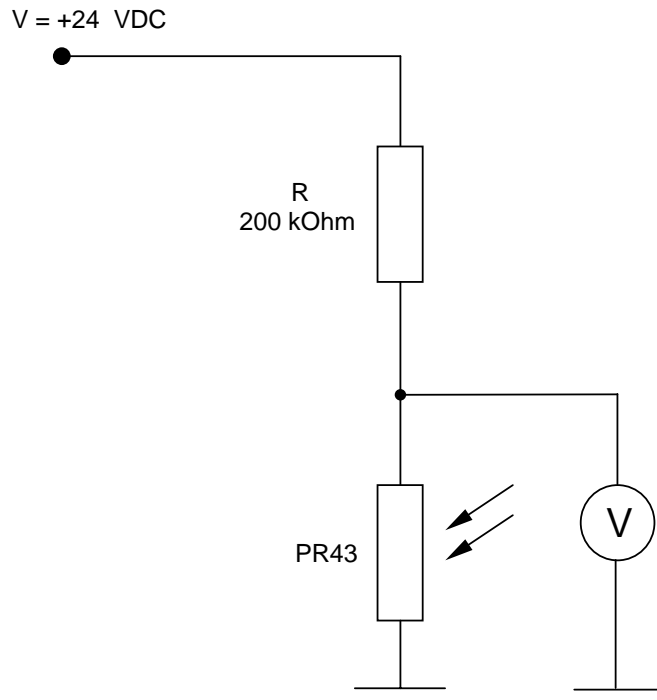
## TECHNICAL SPECIFICATIONS (Ta = 20°C)

Wavelength range (50%)	<b>1.00 - 4.40 <math>\mu\text{m}</math></b>
Maximum responsivity (>90%)	<b>2.00 – 3.8 <math>\mu\text{m}</math></b>
Zero bias resistance (10 mV)	<b>0.15 - 0.35 MOhm</b>
D* (573K, 1200 Hz, 143 Hz)	<b>(5-10) <math>10^8 \text{ W}^{-1} \text{ cm Hz}^{1/2}</math></b>
Voltage / Watt sensitivity	<b>200 - 500 V/W</b>
Rise and fall times of photocurrent pulse	<b>5 <math>\mu\text{s}</math></b>
Photosensitive area	<b>2.0 x 1.8 mm<sup>2</sup></b>
Package	<b>TO-5</b>



**ROITHNER LASERTECHNIK GmbH**  
Wiedner Hauptstrasse 76, Vienna, Austria  
Tel.: +43 1 586 52 43-0  
Fax: +43 1 586 52 43-44  
office@roithner-laser.com  
www.roithner-laser.com

## Application note for PR43 MID-IR photoresistor



---

**ROITHNER LASERTECHNIK GmbH**  
Wiedner Hauptstrasse 76, Vienna, Austria  
Tel.: +43 1 586 52 43-0  
Fax: +43 1 586 52 43-44  
office@roithner-laser.com  
www.roithner-laser.com

---