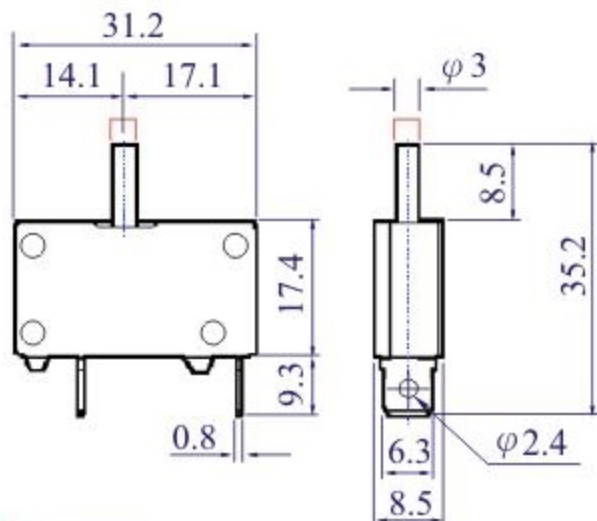


SERIES A-0702X (7291X)



DIMENSION IN mm



SPECIFICATIONS:

DERATING FACTOR		
TEMP	1A ~ 10A	11A ~ 20A
60°C	--	x 0.50
55°C	--	x 0.55
50°C	x 0.50	x 0.65
45°C	x 0.55	x 0.70
40°C	x 0.68	x 0.80
35°C	x 0.80	x 0.85
30°C	x 0.86	x 0.88
25°C	x 1.00	x 1.00
20°C	x 1.11	x 1.10
15°C	x 1.20	x 1.20
10°C	x 1.35	x 1.30

(FOR REFERENCE ONLY)

MAX. INTERNAL RESISTANCE	
1.0A- 1.5A	0.500 Ω
2.0A- 2.5A	0.320 Ω
3.0A- 4.0A	0.100 Ω
5.0A- 6.0A	0.050 Ω
7.0A- 9.0A	0.020 Ω
10.0A-12.0A	0.016 Ω
13.0A-16.0A	0.012 Ω
17.0A-20.0A	0.012 Ω

- * STANDARD RATING: **1-20 AMPERE.**
- * INPUT POWER: **12 VDC / 125 VAC / 250 VAC**
- * DIELECTRIC STRENGTH: **1500 VAC / 1 MINUTE**
- * RATED CONDITIONAL SHORT-CIRCUIT CURRENT : **IEC-934 "PC.1 1000A "WITH " FUSE 16 A gL/gG "**
- * INSULATION RESISTANCE : **> 100 MΩ**
- * CALIBRATION :
 - 25°C - **100%** OF RATED CURRENT - CONTINUOUSLY CARRIED.
 - 25°C - BETWEEN **101% TO 170%** - MAY TRIP OR NOT.
 - 25°C - **175%** OF RATED CURRENT - TRIP **WITHIN 1 HOUR.**
 - 25°C - **200%** OF RATED CURRENT - TRIP **WITHIN 1 MINUTE**
- * CONTACT ENDURANCE: **125VAC x 150%** OF RATED CURRENT - **500 CYCLES.**
- * **IEC - 934** METHOD OF OPERATION : " **R** " = **AUTOMATIC INTERRUPTION AND NON-AUTOMATIC (MANUAL) RESETTING .**
- * **IEC - 934** METHOD OF TRIPPING : " **TO** " = **THERMAL .**
- * DEGREE OF TRIP - FREE BEHAVIOUR : " **CYCLING TRIP - FREE** "
- * RESET: **MANUAL PUSH RESET**

APPROVALS :

CSA APPROVAL: **2 - 15A** 125VAC
VDE APPROVAL: **2 - 16A** 250VAC

APPLICATIONS:

- * TABLE SAW
- * GENERATOR
- * BATTERY CHARGER
- * SCREW DRIVER

(%)

TRIP TIME CURVE

