



Is Now Part of



ON Semiconductor®

To learn more about ON Semiconductor, please visit our website at

www.onsemi.com

ON Semiconductor and the ON Semiconductor logo are trademarks of Semiconductor Components Industries, LLC dba ON Semiconductor or its subsidiaries in the United States and/or other countries. ON Semiconductor owns the rights to a number of patents, trademarks, copyrights, trade secrets, and other intellectual property. A listing of ON Semiconductor's product/patent coverage may be accessed at www.onsemi.com/site/pdf/Patent-Marking.pdf. ON Semiconductor reserves the right to make changes without further notice to any products herein. ON Semiconductor makes no warranty, representation or guarantee regarding the suitability of its products for any particular purpose, nor does ON Semiconductor assume any liability arising out of the application or use of any product or circuit, and specifically disclaims any and all liability, including without limitation special, consequential or incidental damages. Buyer is responsible for its products and applications using ON Semiconductor products, including compliance with all laws, regulations and safety requirements or standards, regardless of any support or applications information provided by ON Semiconductor. "Typical" parameters which may be provided in ON Semiconductor data sheets and/or specifications can and do vary in different applications and actual performance may vary over time. All operating parameters, including "Typicals" must be validated for each customer application by customer's technical experts. ON Semiconductor does not convey any license under its patent rights nor the rights of others. ON Semiconductor products are not designed, intended, or authorized for use as a critical component in life support systems or any FDA Class 3 medical devices or medical devices with a same or similar classification in a foreign jurisdiction or any devices intended for implantation in the human body. Should Buyer purchase or use ON Semiconductor products for any such unintended or unauthorized application, Buyer shall indemnify and hold ON Semiconductor and its officers, employees, subsidiaries, affiliates, and distributors harmless against all claims, costs, damages, and expenses, and reasonable attorney fees arising out of, directly or indirectly, any claim of personal injury or death associated with such unintended or unauthorized use, even if such claim alleges that ON Semiconductor was negligent regarding the design or manufacture of the part. ON Semiconductor is an Equal Opportunity/Affirmative Action Employer. This literature is subject to all applicable copyright laws and is not for resale in any manner.

Application Note AN-3008

RC Snubber Networks for Thyristor Power Control and Transient Suppression

Introduction

RC networks are used to control voltage transients that could falsely turn-on a thyristor. These networks are called snubbers.

The simple snubber consists of a series resistor and capacitor placed around the thyristor. These components along with the load inductance form a series CRL circuit. Snubber theory follows from the solution of the circuit's differential equation.

Many RC combinations are capable of providing acceptable performance. However, improperly used snubbers can cause unreliable circuit operation and damage to the semiconductor device.

Both turn-on and turn-off protection may be necessary for reliability. Sometimes the thyristor must function with a range of load values. The type of thyristors used, circuit configuration, and load characteristics are influential.

Snubber design involves compromises. They include cost, voltage rate, peak voltage, and turn-on stress. Practical solutions depend on device and circuit physics.

Static $\frac{dV}{dt}$

What is Static $\frac{dV}{dt}$?

Static $\frac{dV}{dt}$ is a measure of the ability of a thyristor to retain a blocking state under the influence of a voltage transient.

$\left(\frac{dV}{dt}\right)_s$ Device Physics

Static $\frac{dV}{dt}$ turn-on is a consequence of the Miller effect and regeneration (Figure 1). A change in voltage across the junction capacitance induces current through it. This current is proportional to the rate of voltage change $\left(\frac{dV}{dt}\right)$. It triggers the device on when it becomes large enough to raise the sum of the NPN and PNP transistor alphas to unity.

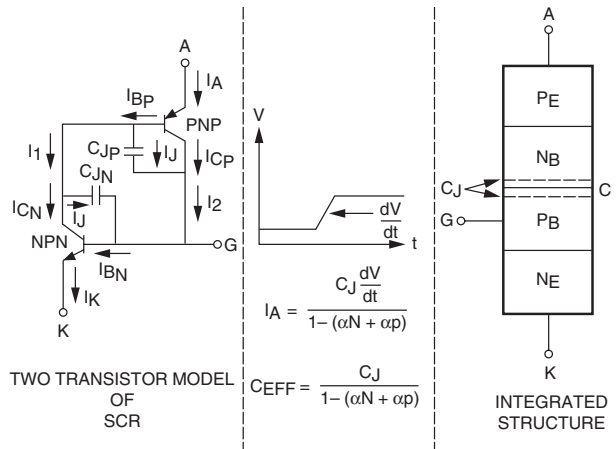


Figure 1. $\left(\frac{dV}{dt}\right)_s$ Model

Conditions Influencing $\left(\frac{dV}{dt}\right)_s$

Transients occurring at line crossing or when there is no initial voltage across the thyristor are worst case. The collector junction capacitance is greatest then because the depletion layer widens at higher voltage.

Small transients are incapable of charging the self-capacitance of the gate layer to its forward biased threshold voltage (Figure 2). Capacitance voltage divider action between the collector and gate-cathode junctions and built-in resistors that shunt current away from the cathode emitter are responsible for this effect.

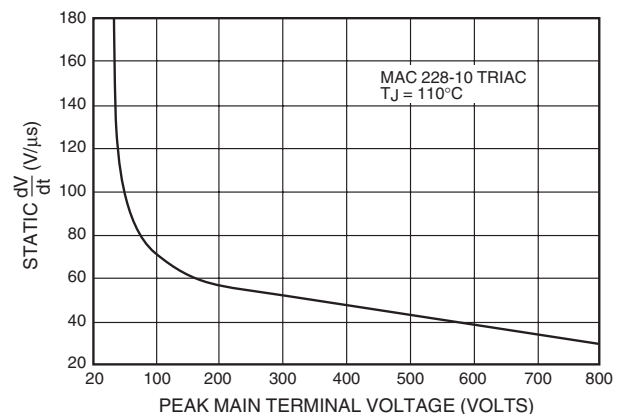


Figure 2. Exponential $\left(\frac{dV}{dt}\right)_s$ versus Peak Voltage

Static $\frac{dV}{dt}$ does not depend strongly on voltage for operation below the maximum voltage and temperature rating. Avalanche multiplication will increase leakage current and reduce $\frac{dV}{dt}$ capability if a transient is within roughly 50 volts of the actual device breakover voltage.

A higher rated voltage device guarantees increased $\frac{dV}{dt}$ at lower voltage. This is a consequence of the exponential rating method where a 400 V device rated at 50 V/ μ s has a higher $\frac{dV}{dt}$ to 200 V than a 200 V device with an identical rating. However, the same diffusion recipe usually applies for all voltages. So actual capabilities of the product are not much different.

Heat increases current gain and leakage, lowering $\left(\frac{dV}{dt}\right)_s$, the gate trigger voltage and noise immunity (Figure 3).

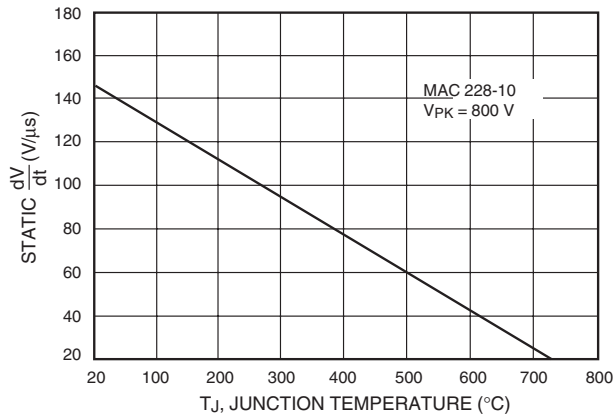


Figure 3. Exponential $\left(\frac{dV}{dt}\right)_s$ versus Temperature

$\left(\frac{dV}{dt}\right)_s$ Failure Mode

Occasional unwanted turn-on by a transient may be acceptable in a heater circuit but isn't in a fire prevention sprinkler system or for the control of a large motor. Turn-on is destructive when the follow-on current amplitude or rate is excessive. If the thyristor shorts the power line or charged capacitor, it will be damaged.

Static $\frac{dV}{dt}$ turn-on is non-destructive when series impedance limits the surge. The thyristor turns off after a half-cycle of conduction. High $\frac{dV}{dt}$ aids current spreading in the thyristor, improving its ability to withstand $\frac{dI}{dt}$. Breakdown turn-on does not have this benefit and should be prevented.

Improving $\left(\frac{dV}{dt}\right)_s$

Static $\frac{dV}{dt}$ can be improved by adding an external resistor from the gate to MT1 (Figure 4). The resistor provides a path for leakage and $\frac{dV}{dt}$ induced currents that originate in the drive circuit or the thyristor itself.

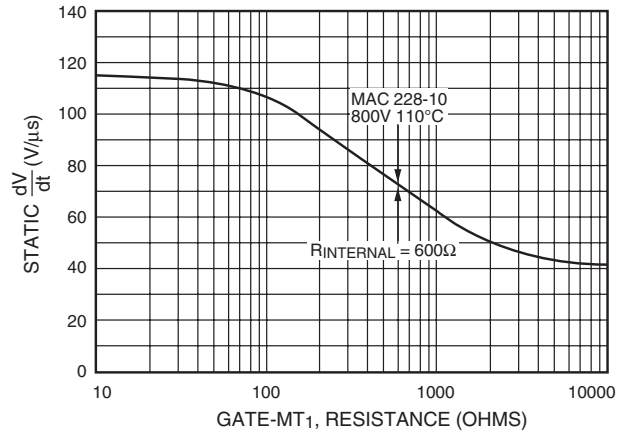


Figure 4. Exponential $\left(\frac{dV}{dt}\right)_s$ versus Gate to MT₁ Resistance

Non-sensitive devices (Figure 5) have internal shorting resistors dispersed throughout the chip's cathode area. This design feature improves noise immunity and high temperature blocking stability at the expense of increased trigger and holding current. External resistors are optional for non-sensitive SCRs and TRIACs. They should be comparable in size to the internal shorting resistance of the device (20 to 100 ohms) to provide maximum improvement. The internal resistance of the thyristor should be measured with an ohmmeter that does not forward bias a diode junction.

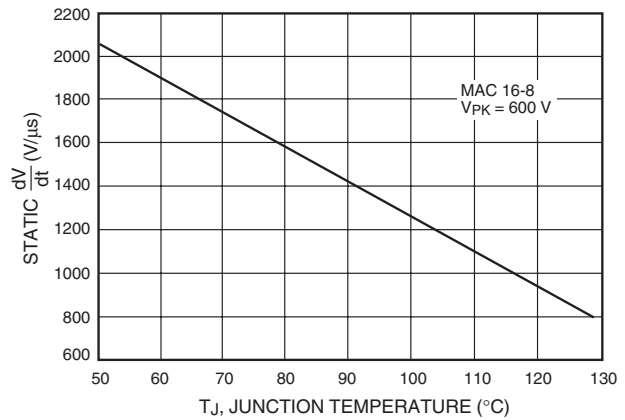


Figure 5. Exponential $\left(\frac{dV}{dt}\right)_s$ versus Junction Temperature

Sensitive gate TRIACS run 100 to 1000 ohms. With an external resistor, their $\frac{dV}{dt}$ capability remains inferior to non-sensitive devices because lateral resistance within the gate layer reduces its benefit.

Sensitive gate SCRs ($I_{GT} < 200 \mu A$) have no built-in resistor. They should be used with an external resistor. The recommended value of the resistor is 1000 ohms. Higher values reduce maximum operating temperature $(\frac{dV}{dt})_s$ (Figure 6). The capability of these parts varies by more than 100 to 1 depending on gate-cathode termination.

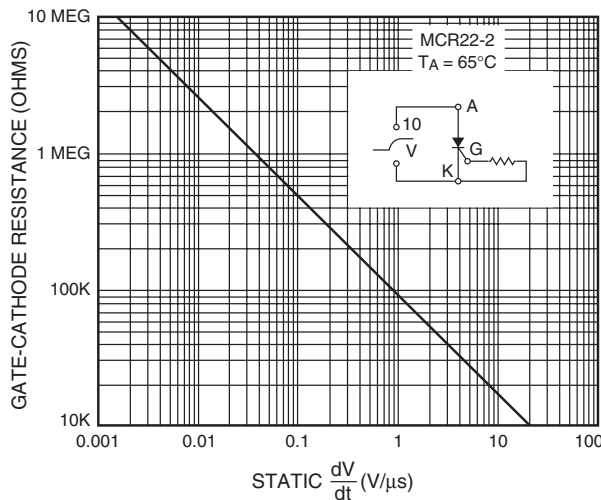


Figure 6. Exponential $(\frac{dV}{dt})_s$ versus Gate-Cathode Resistance

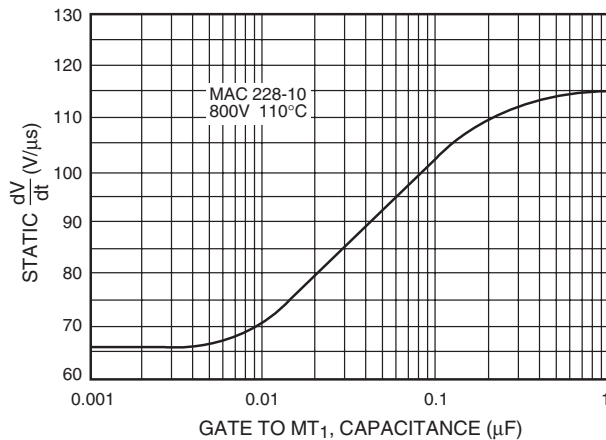


Figure 7. Exponential $(\frac{dV}{dt})_s$ versus Gate to MT₁ Capacitance

A gate-cathode capacitor (Figure 7) provides a shunt path for transient currents in the same manner as the resistor. It also filters noise currents from the drive circuit and enhances the built-in gate-cathode capacitance voltage divider effect. The

gate drive circuit needs to be able to charge the capacitor without excessive delay, but it does not need to supply continuous current as it would for a resistor that increases $\frac{dV}{dt}$ the same amount. However, the capacitor does not enhance static thermal stability.

The maximum $(\frac{dV}{dt})_s$ improvement occurs with a short.

Actual improvement stops before this because of spreading resistance in the thyristor. An external capacitor of about 0.1 μF allows the maximum enhancement at a higher value of R_{GK} .

One should keep the thyristor cool for the highest $(\frac{dV}{dt})_s$.

Also devices should be tested in the application circuit at the highest possible temperature using thyristors with the lowest measured trigger current.

TRIAC Commutating $\frac{dV}{dt}$

What is Commutating $\frac{dV}{dt}$?

The commutating $\frac{dV}{dt}$ rating applies when a TRIAC has been conducting and attempts to turn-off with an inductive load. The current and voltage are out of phase (Figure 8). The TRIAC attempts to turn-off as the current drops below the holding value. Now the line voltage is high and in the opposite polarity to the direction of conduction. Successful turn-off requires the voltage across the TRIAC to rise to the instantaneous line voltage at a rate slow enough to prevent retriggering of the device.

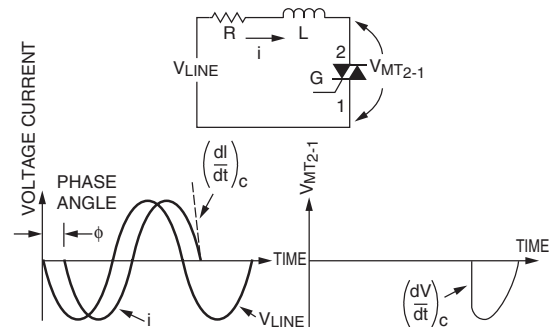


Figure 8. TRIAC Inductive Load Turn-Off $(\frac{dV}{dt})_c$

$(\frac{dV}{dt})_c$ Device Physics

A TRIAC functions like two SCRs connected in inverse-parallel. So, a transient of either polarity turns it on.

There is charge within the crystal's volume because of prior conduction (Figure 9). The charge at the boundaries of the

collector junction depletion layer responsible for $\left(\frac{dV}{dt}\right)_s$ is also present. TRIACS have lower $\left(\frac{dV}{dt}\right)_c$ than $\left(\frac{dV}{dt}\right)_s$ because of this additional charge.

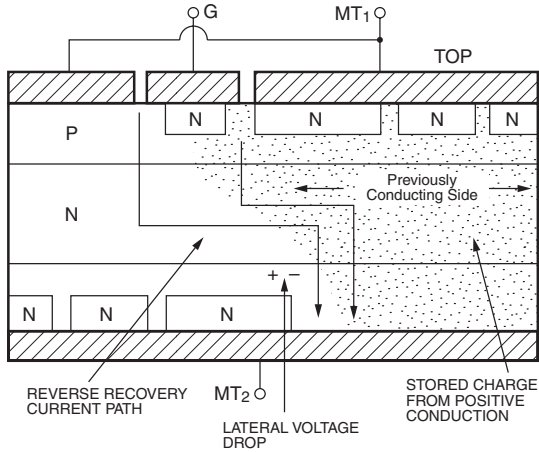


Figure 9. TRIAC Structure and Current Flow at Commutation

The volume charge storage within the TRIAC depends on the peak current before turn-off and its rate of zero crossing $\left(\frac{dI}{dt}\right)_c$. In the classic circuit, the load impedance and line frequency determine $\left(\frac{dI}{dt}\right)_c$. The rate of crossing for sinusoidal currents is given by the slope of the secant line between the 50% and 0% levels as:

$$\left(\frac{dI}{dt}\right)_c = \frac{6fI_{TM}}{1000} \text{ A/ms}$$

where f = line frequency and I_{TM} = maximum on-state current in the TRIAC.

Turn-off depends on both the Miller effect displacement current generated by $\frac{dV}{dt}$ across the collector capacitance and the currents resulting from internal charge storage within the volume of the device (Figure 10). If the reverse recovery current resulting from both these components is high, the lateral IR drop within the TRIAC base layer will forward bias the emitter and turn the TRIAC on. Commutating $\frac{dV}{dt}$ capability is lower when turning off from the positive direction of current conduction because of device geometry. The gate is on the top of the die and obstructs current flow.

Recombination takes place throughout the conduction period and along the back side of the current wave as it declines to zero. Turn-off capability depends on its shape. If the current amplitude is small and its zero crossing $\left(\frac{dI}{dt}\right)_c$ is low, there is little

volume charge storage and turn-off becomes limited by $\left(\frac{dV}{dt}\right)_s$. At moderate current amplitudes, the volume charge begins to influence turn-off, requiring a larger snubber. When the current is large or has rapid zero crossing, $\left(\frac{dV}{dt}\right)_c$ has little influence. Commutating $\frac{dI}{dt}$ and delay time to voltage reapplication determine whether turn-off will be successful or not. (Figures 11,12)

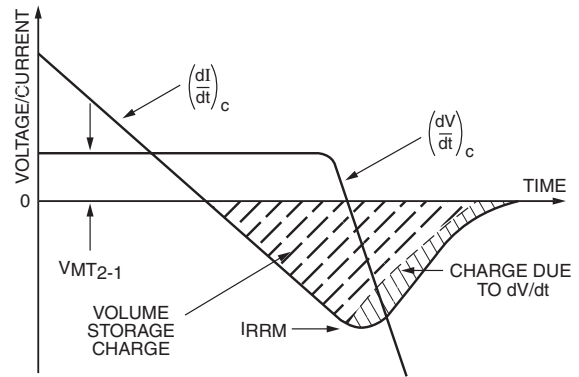


Figure 10. TRIAC Current and Voltage at Commutation

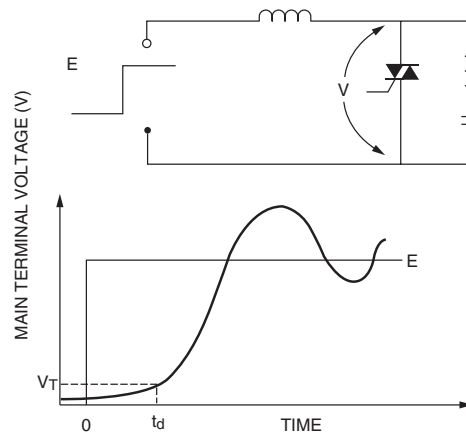


Figure 11. Snubber Delay Time

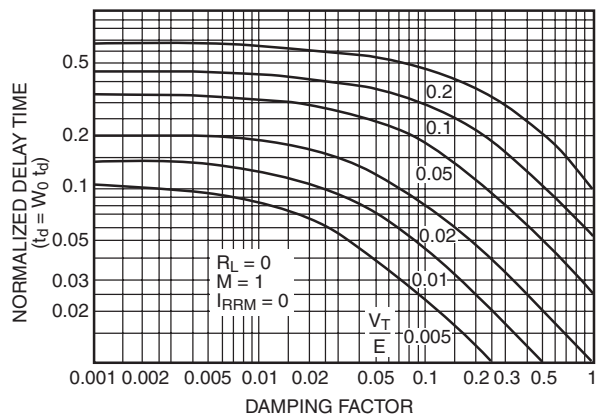


Figure 12. Delay Time To Normalized Voltage

Conditions Influencing $\left(\frac{dV}{dt}\right)_c$

Commutating $\frac{dV}{dt}$ depends on charge storage and recovery dynamics in addition to the variables influencing static $\frac{dV}{dt}$. High temperatures increase minority carrier life-time and the size of recovery currents, making turn-off more difficult. Loads that slow the rate of current zero-crossing aid turn-off. Those with harmonic content hinder turn-off.

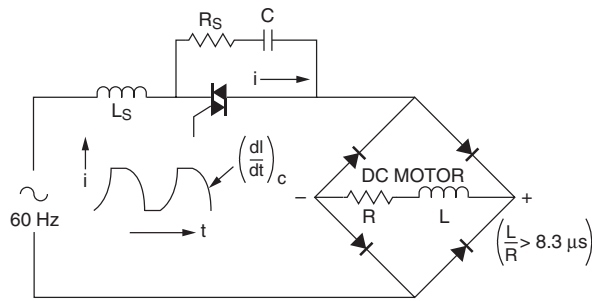


Figure 13. Phase Controlling a Motor in a Bridge

Circuit Examples

Figure 13 shows a TRIAC controlling an inductive load in a bridge. The inductive load has a time constant longer than the line period. This causes the load current to remain constant and the TRIAC current to switch rapidly as the line voltage reverses. This application is notorious for causing TRIAC turn-off difficulty because of high $\left(\frac{di}{dt}\right)_c$.

High currents lead to high junction temperatures and rates of current crossings. Motors can have 5 to 6 times the normal current amplitude at start-up. This increases both junction temperature and the rate of current crossing leading to turn-off problems.

The line frequency causes high rates of current crossing in 400 Hz applications. Resonant transformer circuits are doubly periodic and have current harmonics at both the primary and secondary resonance. Non-sinusoidal currents can lead to turn-off difficulty even if the current amplitude is low before zero-crossing.

$\left(\frac{dV}{dt}\right)_c$ Failure Mode

$\left(\frac{dV}{dt}\right)_c$ failure causes a loss of phase control. Temporary turn-on or total turn-off failure is possible. This can be destructive if the TRIAC conducts asymmetrically causing a dc current component and magnetic saturation. The winding resistance limits the current. Failure results because of excessive surge current and junction temperature.

Improving $\left(\frac{dV}{dt}\right)_c$

The same steps that improve $\left(\frac{dV}{dt}\right)_s$ aid $\left(\frac{dV}{dt}\right)_c$ except when stored charge dominates turn-off. Steps that reduce the stored charge or soften the commutation are necessary then.

Larger TRIACS have better turn-off capability than smaller ones with a given load. The current density is lower in the larger device allowing recombination to claim a greater proportion of the internal charge. Also junction temperatures are lower.

TRIACS with high gate trigger current have greater turn-off ability because of lower spreading resistance in the gate layer, reduced Miller effect, or shorter lifetime.

The rate of current crossing can be adjusted by adding a commutation softening inductor in series with the load. Small high permeability “square loop” inductors saturate causing no significant disturbance to the load current. The inductor resets as the current crosses zero introducing a large inductor into the snubber circuit at that time. This slows the current crossing and delays the reapplication of blocking voltage aiding turn-off.

The commutation inductor is a circuit element that introduces time delay, as opposed to inductance, into the circuit.

It will have little influence on observed $\frac{dV}{dt}$ at the device.

The following example illustrates the improvement resulting from the addition of an inductor constructed by winding 33 turns of number 18 wire on a tape wound core (52000 -1A). This core is very small having an outside diameter of 3/4 inch and a thickness of 1/8 inch. The delay time can be calculated from:

$$t_s = \frac{(N A B 10^{-8})}{E} \quad \text{where:}$$

t_s = time delay to saturation in seconds.

B = saturating flux density in Gauss

A = effective core cross sectional area in cm^2

N = number of turns.

For the described inductor:

$$t_s = (33 \text{ turns})(0.076 \text{ cm}^2)(28000 \text{ Gauss})(1 \times 10^{-8}) / (175 \text{ v}) = 4.0 \mu\text{s}.$$

The saturation current of the inductor does not need to be much larger than the TRIAC trigger current. Turn-off failure will result before recovery currents become greater than this value. This criterion allows sizing the inductor with the following equation:

$$I_S = \frac{H_S M_L}{0.4 \pi N} \text{ where:}$$

H_S = MMF to saturate = 0.5 Oersted

M_L = mean magnetic path length = 4.99 cm.

$$I_S = \frac{(.5)(4.99)}{0.4 \pi 33} = 60 \text{ mA.}$$

Snubber Physics

Undamped Natural Resonance

$$\omega_0 = \frac{1}{\sqrt{LC}} \text{ Radians/second}$$

Resonance determines $\frac{dV}{dt}$ and boosts the peak capacitor voltage when the snubber resistor is small. C and L are related to one another by ω_0^2 . $\frac{dV}{dt}$ scales linearly with ω_0 when the damping factor is held constant. A ten to one reduction in $\frac{dV}{dt}$ requires a 100 to 1 increase in either component.

Damping Factor

$$\rho = \frac{R}{2} \sqrt{\frac{C}{L}}$$

The damping factor is proportional to the ratio of the circuit loss and its surge impedance. It determines the trade off between $\frac{dV}{dt}$ and peak voltage. Damping factors between 0.01 and 1.0 are recommended.

The Snubber Resistor

Damping and $\frac{dV}{dt}$

When $\rho < 0.5$, the snubber resistor is small, and $\frac{dV}{dt}$ depends mostly on resonance. There is little improvement in $\frac{dV}{dt}$ for damping factors less than 0.3, but peak voltage and snubber discharge current increase. The voltage wave has a 1-COS(θ) shape with overshoot and ringing. Maximum $\frac{dV}{dt}$ occurs at a time later than $t = 0$. There is a time delay before the voltage rise, and the peak voltage almost doubles.

When $\rho > 0.5$, the voltage wave is nearly exponential in shape. The maximum instantaneous $\frac{dV}{dt}$ occurs at $t = 0$. There is little time delay and moderate voltage overshoot.

When $\rho > 1.0$, the snubber resistor is large and $\frac{dV}{dt}$ depends mostly on its value. There is some overshoot even though the circuit is overdamped.

High load inductance requires large snubber resistors and small snubber capacitors. Low inductances imply small resistors and large capacitors.

Damping and Transient Voltages

Figure 14 shows a series inductor and filter capacitor connected across the ac main line. The peak to peak voltage of a transient disturbance increases by nearly four times. Also the duration of the disturbance spreads because of ringing, increasing the chance of malfunction or damage to the voltage sensitive circuit. Closing a switch causes this behavior. The problem can be reduced by adding a damping resistor in series with the capacitor.

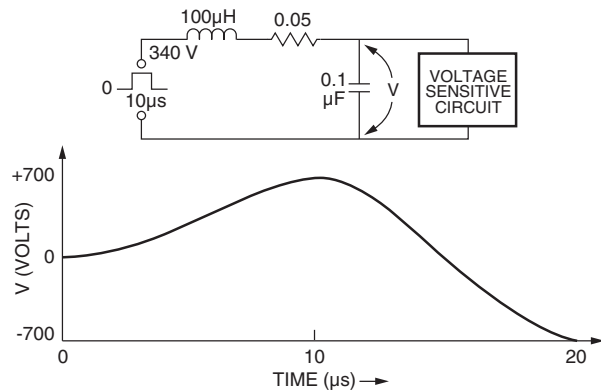


Figure 14. Undamped LC Filter Magnifies and Lengthens a Transient

$\frac{dI}{dt}$

Non-Inductive Resistor

The snubber resistor limits the capacitor discharge current and reduces $\frac{dI}{dt}$ stress. High $\frac{dI}{dt}$ destroys the thyristor even though the pulse duration is very short. The rate of current rise is directly proportional to circuit voltage and inversely proportional to series inductance. The snubber is often the major offender because of its low inductance and close proximity to the thyristor.

With no transient suppressor, breakdown of the thyristor sets the maximum voltage on the capacitor. It is possible to exceed the highest rated voltage in the device series because high voltage devices are often used to supply low voltage specifications.

The minimum value of the snubber resistor depends on the type of thyristor, triggering quadrants, gate current amplitude, voltage, repetitive or non-repetitive operation and required life expectancy. There is no simple way to predict the rate of current rise because it depends on turn-on speed of the thyristor, circuit layout, type and size of snubber capacitor, and inductance in the snubber resistor. The equations in Appendix D describes the circuit. However,

the values required for the model are not easily obtained except by testing. Therefore, reliability should be verified in the actual application circuit.

Table 1 shows suggested minimum resistor values estimated (Appendix A) by testing a 20 piece sample from the four different TRIAC die sizes.

Table 1. Minimum Non-inductive Snubber Resistor for Four Quadrant Triggering.

TRIAC Type	Peak V_C Volts	R_S Ohms	$\frac{dI}{dt}$ A/ μ S
Non-Sensitive	200	3.3	170
Gate	300	6.8	250
($I_{GT} > 10\text{mA}$)	400	11	308
8 to 40 $A_{(RMS)}$	600	39	400
	800	51	400

Reducing $\frac{dI}{dt}$

TRIAC $\frac{dI}{dt}$ can be improved by avoiding quadrant 4 triggering. Most optocoupler circuits operate the TRIAC in quadrants 1 and 3. Integrated circuit drivers use quadrants 2 and 3. Zero crossing trigger devices are helpful because they prohibit triggering when the voltage is high.

Driving the gate with a high amplitude fast rise pulse increases $\frac{dI}{dt}$ capability. The gate ratings section defines the maximum allowed current.

Inductance in series with the snubber capacitor reduces $\frac{dI}{dt}$. It should not be more than five percent of the load inductance to prevent degradation of the snubber's $\frac{dV}{dt}$ suppression capability. Wirewound snubber resistors sometimes serve this purpose. Alternatively, a separate inductor can be added in series with the snubber capacitor. It can be small because it does not need to carry the load current. For example, 18 turns of AWG No. 20 wire on a T50-3 (1/2 inch) powdered iron core creates a non-saturating 6.0 μ H inductor.

A 10 ohm, 0.33 μ F snubber charged to 650 volts resulted in a 1000 A/ μ s $\frac{dI}{dt}$. Replacement of the non-inductive snubber resistor with a 20 watt wirewound unit lowered the rate of rise to a non-destructive 170 A/ μ s at 800 V. The inductor gave an 80 A/ μ s rise at 800 V with the non-inductive resistor.

The Snubber Capacitor

A damping factor of 0.3 minimizes the size of the snubber capacitor for a given value of $\frac{dV}{dt}$. This reduces the cost and physical dimensions of the capacitor. However, it raises voltage causing a counter balancing cost increase.

Snubber operation relies on the charging of the snubber capacitor. Turn-off snubbers need a minimum conduction angle long enough to discharge the capacitor. It should be at least several time constants ($R_S C_S$).

Stored Energy

Inductive Switching Transients

$$E = \frac{1}{2} L I_O^2 \text{ Watt-seconds or Joules}$$

I_O = current in Amperes flowing in the inductor at $t = 0$.

Resonant charging cannot boost the supply voltage at turn-off by more than 2. If there is an initial current flowing in the load inductance at turn-off, much higher voltages are possible. Energy storage is negligible when a TRIAC turns off because of its low holding or recovery current.

The presence of an additional switch such as a relay, thermostat or breaker allows the interruption of load current and the generation of high spike voltages at switch opening. The energy in the inductance transfers into the circuit capacitance and determines the peak voltage (Figure 15).

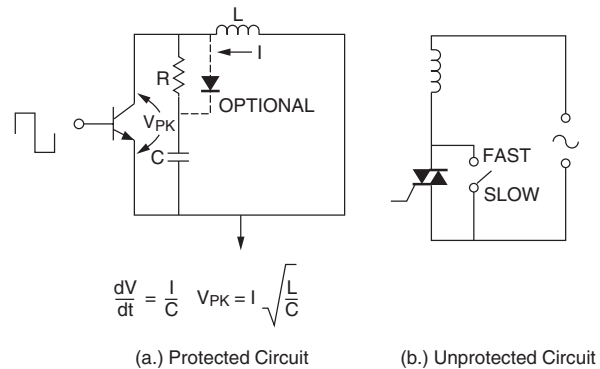


Figure 15. Interrupting Inductive Load Current

Capacitor Discharge

The energy stored in the snubber capacitor ($E_C = \frac{1}{2} C V^2$) transfers to the snubber resistor and thyristor every time it turns on. The power loss is proportional to frequency ($P_{AV} = 120 E_C @ 60 \text{ Hz}$).

Current Diversion

The current flowing in the load inductor cannot change instantly. This current diverts through the snubber resistor causing a spike of theoretically infinite $\frac{dV}{dt}$ with magnitude equal to $(I_{RRM}R)$ or $(I_H R)$.

Load Phase Angle

Highly inductive loads cause increased voltage and $\left(\frac{dV}{dt}\right)_c$ at turn-off. However, they help to protect the thyristor from transients and $\left(\frac{dV}{dt}\right)_s$. The load serves as the snubber

inductor and limits the rate of inrush current if the device does turn on. Resistance in the load lowers $\frac{dV}{dt}$ and V_{PK} (Figure 16).

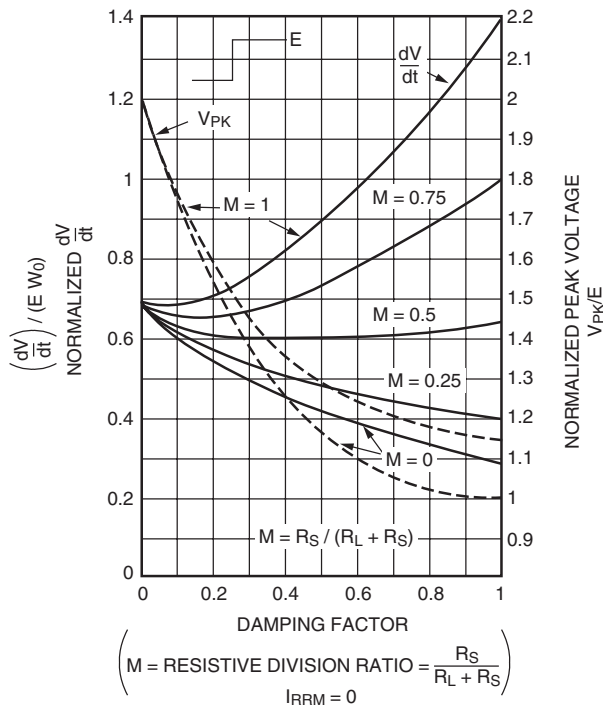


Figure 16. 0 to 63% $\frac{dV}{dt}$

Characteristics Voltage Waves

Damping factor and reverse recovery current determine the shape of the voltage wave. It is not exponential when the snubber damping factor is less than 0.5 (Figure 17) or when significant recovery currents are present.

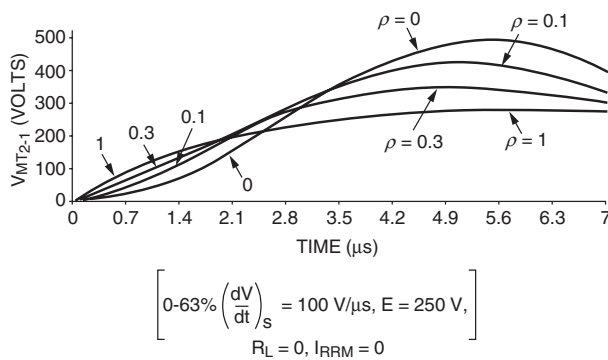


Figure 17. Voltage Waves for Different Damping Factors

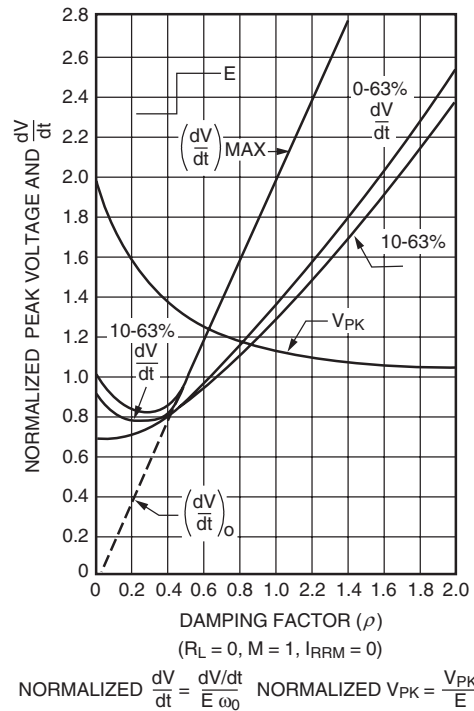


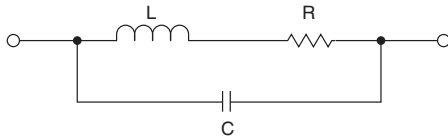
Figure 18. Trade-Off Between V_{PK} and $\frac{dV}{dt}$

A variety of wave parameters (Figure 18) describe $\frac{dV}{dt}$. Some are easy to solve for and assist understanding. These include the initial $\frac{dV}{dt}$, the maximum instantaneous $\frac{dV}{dt}$, and the average $\frac{dV}{dt}$ to the peak reappplied voltage. The 0 to 63% $(\frac{dV}{dt})_s$ and 10 to 63% $(\frac{dV}{dt})_c$ definitions on device data sheets are easy to measure but difficult to compute.

Non-Ideal Behaviors

Core Losses

The magnetic core materials in typical 60 Hz loads introduce losses at the snubber natural frequency. They appear as a resistance in series with the load inductance and winding dc resistance (Figure 19). This causes actual $\frac{dV}{dt}$ to be less than the theoretical value.



- L DEPENDS ON CURRENT AMPLITUDE, CORE SATURATION
- R INCLUDES CORE LOSS, WINDING R. INCREASES WITH FREQUENCY
- C WINDING CAPACITANCE. DEPENDS ON INSULATION, WIRE SIZE, GEOMETRY

Figure 19. Inductor Model

Complex Loads

Many real-world inductances are non-linear. Their core materials are not gapped causing inductance to vary with current amplitude. Small signal measurements poorly characterize them. For modeling purposes, it is best to measure them in the actual application.

Complex load circuits should be checked for transient voltages and currents at turn-on and turn-off. With a capacitive load, turn-on at peak input voltage causes the maximum surge current. Motor starting current runs 4 to 6 times the steady state value. Generator action can boost voltages above the line value. Incandescent lamps have cold start currents 10 to 20 times the steady state value. Transformers generate voltage spikes when they are energized. Power factor correction circuits and switching devices create complex loads. In most cases, the simple CRL model allows an approximate snubber design. However, there is no substitute for testing and measuring the worst case load conditions.

Surge Currents in Inductive Circuits

Inductive loads with long L/R time constants cause asymmetric multi-cycle surges at start up (Figure 20). Triggering at zero voltage crossing is the worst case condition. The surge can be eliminated by triggering at the zero current crossing angle.

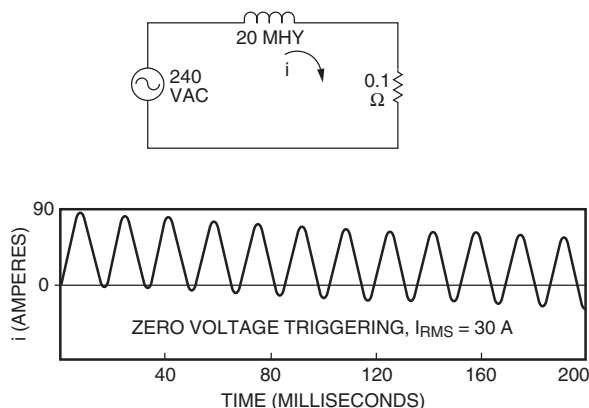


Figure 20. Start-Up Surge For Inductive Circuit

Core remanence and saturation cause surge currents. They depend on trigger angle, line impedance, core characteristics, and direction of the residual magnetization. For example, a 2.8 kVA 120 V 1:1 transformer with a 1.0 ampere load produced 160 ampere currents at start-up. Soft starting the circuit at a small conduction angle reduces this current.

Transformer cores are usually not gapped and saturate easily. A small asymmetry in the conduction angle causes magnetic saturation and multi-cycle current surges.

Steps to achieve reliable operation include:

1. Supply sufficient trigger current amplitude. TRIACS have different trigger currents depending on their quadrant of operation. Marginal gate current or optocoupler LED current causes halfwave operation.
2. Supply sufficient gate current duration to achieve latching. Inductive loads slow down the main terminal current rise. The gate current must remain above the specified I_{GT} until the main terminal current exceeds the latching value. Both a resistive bleeder around the load and the snubber discharge current help latching.
3. Use a snubber to prevent TRIAC $\left(\frac{dV}{dt}\right)_c$ failure.
4. Minimize designed-in trigger asymmetry. Triggering must be correct every half-cycle including the first. Use a storage scope to investigate circuit behavior during the first few cycles of turn-on. Alternatively, get the gate circuit up and running before energizing the load.
5. Derive the trigger synchronization from the line instead of the TRIAC main terminal voltage. This avoids regenerative interaction between the core hysteresis and the triggering angle preventing trigger runaway, halfwave operation, and core saturation.
6. Avoid high surge currents at start-up. Use a current probe to determine surge amplitude. Use a soft start circuit to reduce inrush current.

Distributed Winding Capacitance

There are small capacitances between the turns and layers of a coil. Lumped together, they model as a single shunt capacitance. The load inductor behaves like a capacitor at frequencies above its self-resonance. It becomes ineffective in controlling $\frac{dV}{dt}$ and V_{PK} when a fast transient such as that resulting from the closing of a switch occurs. This problem can be solved by adding a small snubber across the line.

Self-Capacitance

A thyristor has self-capacitance which limits $\frac{dV}{dt}$ when the load inductance is large. Large load inductances, high power factors, and low voltages may allow snubberless operation.

Snubber Examples

Without Inductance

Power TRIAC Example

Figure 21 shows a transient voltage applied to a TRIAC controlling a resistive load. Theoretically there will be an instantaneous step of voltage across the TRIAC. The only elements slowing this rate are the inductance of the wiring and the self-capacitance of the thyristor. There is an exponential capacitor charging component added along with a decaying component because of the IR drop in the snubber resistor. The non-inductive snubber circuit is useful when the load resistance is much larger than the snubber resistor.

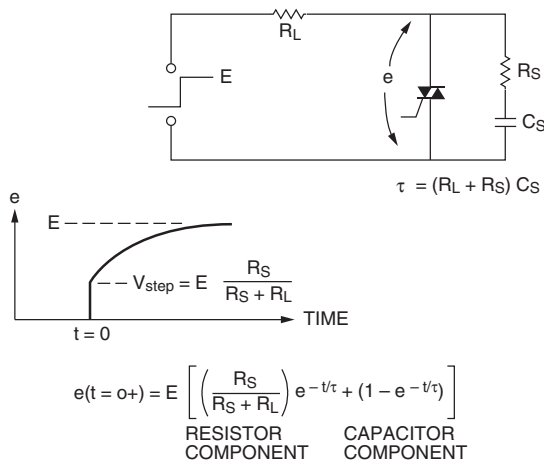


Figure 21. Non-inductive Snubber Circuit

Opto-TRIAC Examples

Single Snubber, Time Constant Design

Figure 22 illustrates the use of the RC time constant design method. The optocoupler sees only the voltage across the snubber capacitor. The resistor R_1 supplies the trigger current of the power TRIAC. A worst case design procedure assumes that the voltage across the power TRIAC changes instantly. The capacitor voltage rises to 63% of the maximum in one time constant. Then:

$$R_1 C_S = \tau = \frac{0.63 E}{\left(\frac{dV}{dt} \right)_s} \text{ where } \left(\frac{dV}{dt} \right)_s \text{ is the rated static } \frac{dV}{dt}$$

for the optocoupler.

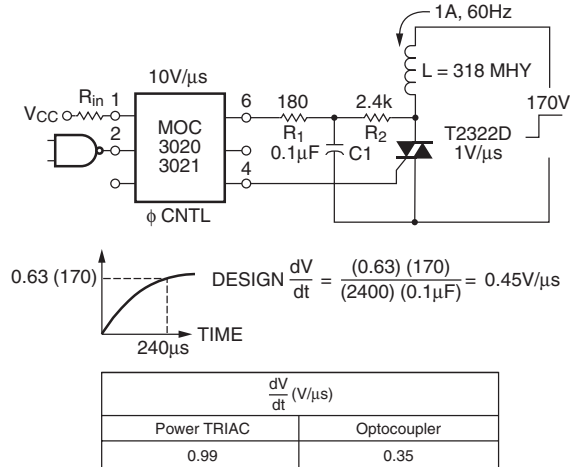


Figure 22. Single Snubber For Sensitive Gate TRIAC and Phase Controllable Optocoupler ($\rho = 0.67$)

The optocoupler conducts current only long enough to trigger the power device. When it turns on, the voltage between MT2 and the gate drops below the forward threshold voltage of the opto-TRIAC causing turn-off. The optocoupler sees $\left(\frac{dV}{dt} \right)_s$ when the power TRIAC turns off later in the conduction cycle at zero current crossing. Therefore, it is not necessary to design for the lower optocoupler $\left(\frac{dV}{dt} \right)_c$ rating. In this example, a single snubber designed for the optocoupler protects both devices.

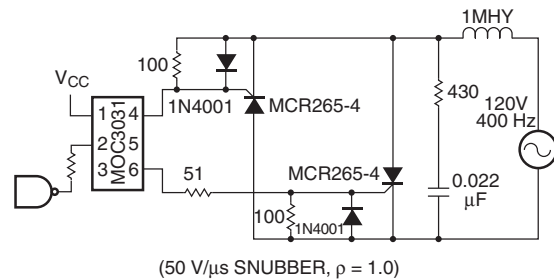


Figure 23. Anti-Parallel SCR Driver

Optocouplers with SCRs

Anti-parallel SCR circuits result in the same $\frac{dV}{dt}$ across the optocoupler and SCR (Figure 23). Phase controllable optocouplers require the SCRs to be snubbed to their lower $\frac{dV}{dt}$ rating. Anti-parallel SCR circuits are free from the charge storage behaviors that reduce the turn-off capability of TRIACs. Each SCR conducts for a half-cycle and has the next half cycle of the ac line in which to recover. The turn-off $\frac{dV}{dt}$ of the conducting SCR becomes a static forward blocking $\frac{dV}{dt}$ for the other device. Use the SCR data sheet $\left(\frac{dV}{dt} \right)_s$ rating in the snubber design.

A SCR used inside a rectifier bridge to control an ac load will not have a half cycle in which to recover. The available time decreases with increasing line voltage. This makes the circuit less attractive. Inductive transients can be suppressed by a snubber at the input to the bridge or across the SCR. However, the time limitation still applies.

Opto $\left(\frac{dV}{dt}\right)_c$

Zero-crossing optocouplers can be used to switch inductive loads at currents less than 100 mA (Figure 24). However a power TRIAC along with the optocoupler should be used for higher load currents.

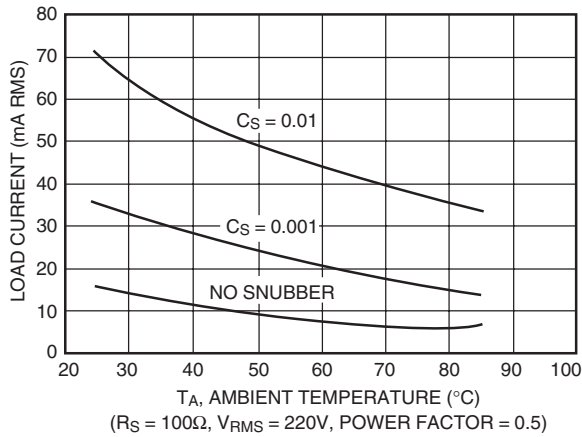


Figure 24. MOC3062 Inductive Load Current versus T_A

A phase controllable optocoupler is recommended with a power device. When the load current is small, a MAC97 TRIAC is suitable.

Unusual circuit conditions sometimes lead to unwanted operation of an optocoupler in $\left(\frac{dV}{dt}\right)_c$ mode. Very large currents in the power device cause increased voltages between MT2 and the gate that hold the optocoupler on. Use of a larger TRIAC or other measures that limit inrush current solve this problem.

Very short conduction times leave residual charge in the optocoupler. A minimum conduction angle allows recovery before voltage reapplication.

The Snubber with Inductance

Consider an overdamped snubber using a large capacitor whose voltage changes insignificantly during the time under consideration. The circuit reduces to an equivalent L/R series charging circuit.

The current through the snubber resistor is:

$$i = \frac{V}{R_s} \left(1 - e^{-\frac{t}{\tau}} \right)$$

and the voltage across the TRIAC is:

$$e = i R_s$$

The voltage wave across the TRIAC has an exponential rise with maximum rate at $t = 0$. Taking its derivative gives its value as:

$$\left(\frac{dV}{dt}\right)_0 = \frac{V R_s}{L}$$

Highly overdamped snubber circuits are not practical designs. The example illustrates several properties:

1. The initial voltage appears completely across the circuit inductance. Thus, it determines the rate of change of current through the snubber resistor and the initial $\frac{dV}{dt}$. This result does not change when there is resistance in the load and holds true for all damping factors.
2. The snubber works because the inductor controls the rate of current change through the resistor and the rate of capacitor charging. Snubber design cannot ignore the inductance. This approach suggests that the snubber capacitance is not important but that is only true for this hypothetical condition. The snubber resistor shunts the thyristor causing unacceptable leakage when the capacitor is not present. If the power loss is tolerable, $\frac{dV}{dt}$ can be controlled without the capacitor. An example is the soft-start circuit used to limit inrush current in switching power supplies (Figure 25).

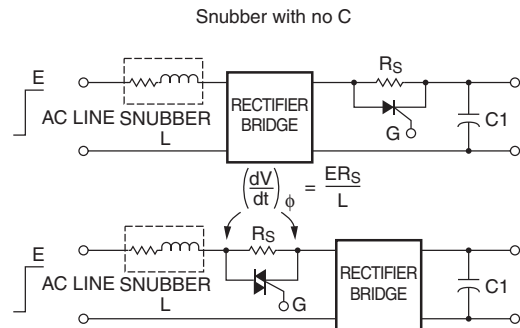


Figure 25. Surge Current Limiting For a Switching Power Supply

TRIAC Design Procedure $\left(\frac{dV}{dt}\right)_c$

1. Refer to Figure 18 and select a particular damping factor (ρ) giving a suitable trade-off between V_{PK} and $\frac{dV}{dt}$.

Determine the normalized $\frac{dV}{dt}$ corresponding to the chosen damping factor.

The volage E depends on the load phase angle:

$$E = \sqrt{2} V_{RMS} \sin(\phi) \text{ where } \phi = \tan^{-1} \left(\frac{X_L}{R_L} \right) \text{ where}$$

ϕ = measured phase angle between line V and load I
 R_L = measured dc resistance of the load.

Then

$$Z = \frac{V_{RMS}}{I_{RMS}} \sqrt{R_L^2 + X_L^2} \quad X_L = \sqrt{Z^2 - R_L^2} \text{ and}$$

$$L = \frac{X_L}{2 \pi f_{Line}}$$

If only the load current is known, assume a pure inductance. This gives a conservative design. Then:

$$L = \frac{V_{RMS}}{2 \pi f_{LINE} I_{RMS}} \text{ where } E = \sqrt{2} V_{RMS}$$

For Example:

$$E = \sqrt{2} 120 = 170 \text{ V}; \quad L = \frac{120}{(8 \text{ A})(377 \text{ rps})} = 39.8 \text{ mH}$$

Read from the graph at $\rho = 0.6$, $V_{PK} = (1.25) 170 = 213 \text{ V}$.

Use 400V TRIAC. Read $\frac{dV}{dt} (\rho = 0.6) = 1.0$

2. Apply the resonance criterion:

$$\omega_0 = \left(\text{spec} \frac{dV}{dt} \right) / \left(\frac{dV}{dt} (P) E \right)$$

$$\omega_0 = \frac{5 \times 10^6 \text{ V/S}}{(1)(170 \text{ V})} = 29.4 \times 10^3 \text{ rps}$$

$$C = \frac{1}{\omega_0^2 L} = 0.029 \text{ } \mu\text{F}$$

3. Apply the damping criterion:

$$R_S = 2\rho \sqrt{\frac{L}{C}} = 2(0.6) \sqrt{\frac{39.8 \times 10^{-3}}{0.029 \times 10^{-6}}} = 1400 \text{ ohms}$$

$\left(\frac{dV}{dt}\right)_c$ Safe Area Curve

Figure 26 shows a MAC16 TRIAC turn-off safe operating area curve. Turn-off occurs without problem under the curve.

The region is bounded by static $\frac{dV}{dt}$ at low values of $\left(\frac{dI}{dt}\right)_c$ and delay time at high currents. Reduction of the peak current permits operation at higher line frequency. This TRIAC operated at $f = 400 \text{ Hz}$, $T_J = 125 \text{ }^\circ\text{C}$, and $I_{TM} = 6.0 \text{ amperes}$ using a 30 ohm and 0.068 μF snubber. Low damping factors extend operation to higher $\left(\frac{dI}{dt}\right)_c$, but capacitor sizes increase. The addition of a small, saturable commutation inductor extends the allowed current rate by introducing recovery delay time.

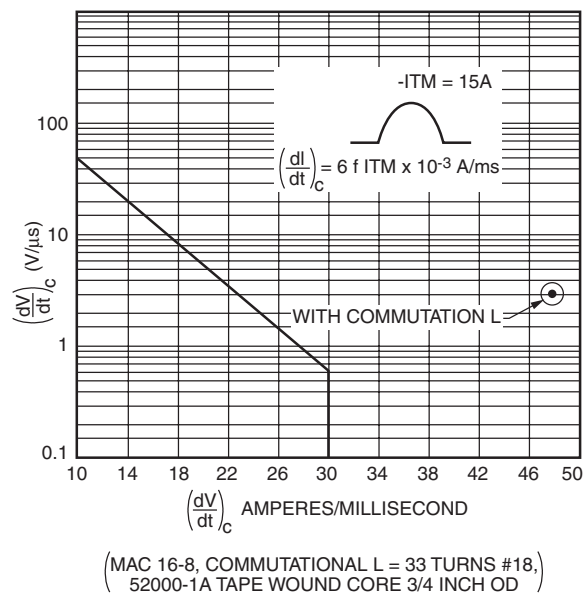


Figure 26. $\left(\frac{dV}{dt}\right)_c$ versus $\left(\frac{dI}{dt}\right)_c$ $T_J = 125 \text{ }^\circ\text{C}$

Static $\frac{dV}{dt}$ Design

There is usually some inductance in the ac main and power wiring. The inductance may be more than 100 μH if there is a transformer in the circuit or nearly zero when a shunt power factor correction capacitor is present. Usually the line inductance is roughly several μH . The minimum inductance must be known or defined by adding a series inductor to insure reliable operation (Figure 27).

One hundred μH is a suggested value for starting the design. Plug the assumed inductance into the equation for C. Larger values of inductance result in higher snubber resistance and reduced $\frac{dI}{dt}$. For example:

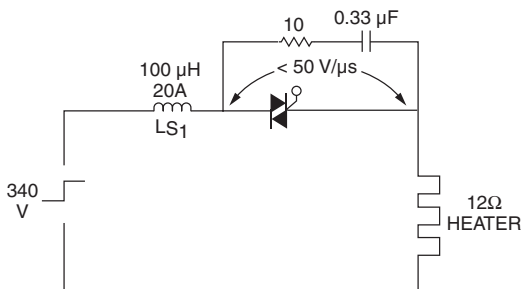


Figure 27. Snubbing for a Resistive Load

Given $E = 240 \sqrt{2} = 340\text{V}$

Pick $\rho = 0.3$

Then from Figure 18, $V_{PK} = 1.42 (340) = 483\text{V}$.

Thus, it will be necessary to use a 600 V device. Using the previously stated formulas for ω_0 , C and R we find:

$$\omega_0 = \frac{50 \times 10^6 \text{ V/S}}{(0.73)(340 \text{ V})} = 201450 \text{ rps}$$

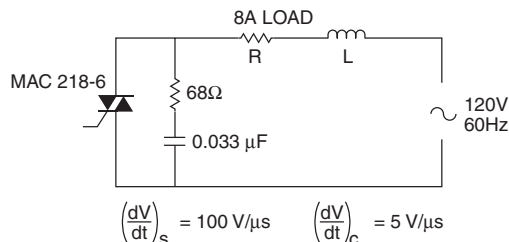
$$C = \frac{1}{(201450)^2 (100 \times 10^{-6})} = 0.2464 \mu\text{F}$$

$$R = 2(0.3) \sqrt{\frac{100 \times 10^{-6}}{0.2464 \times 10^{-6}}} = 12 \text{ ohms}$$

Variable Loads

The snubber should be designed for the smallest load inductance because $\frac{dV}{dt}$ will then be highest because of its dependence on ω_0 . This requires a higher voltage device for operation with the largest inductance because of the corresponding low damping factor.

Figure 28 describes $\frac{dV}{dt}$ for an 8.0 ampere load at various power factors. The minimum inductance is a component added to prevent static $\frac{dV}{dt}$ firing with a resistive load.



ρ	R	L	V_{step}	V_{PK}	$\frac{dV}{dt}$
	Ω	MHY	V	V	V/ μs
0.75	15	0.1	170	191	86
0.03	0	39.8	170	325	4.0
0.04	10.6	28.1	120	225	3.3
0.06	13.5	17.3	74	136	2.6

Figure 28. Snubbing For a Variable Load

Examples of Snubber Designs

Table 2 describes snubber RC values for $(\frac{dV}{dt})_s$. Figures 31 and 32 show possible R and C values for a $5.0 \text{ V}/\mu\text{s}$ $(\frac{dV}{dt})_c$ assuming a pure inductive load.

Table 2. Static $\frac{dV}{dt}$ Designs
($E = 340 \text{ V}$, $V_{peak} = 500 \text{ V}$, $\rho = 0.3$)

L μH	5.0V/ μs		50V/ μs		100V/ μs	
	C μF	R Ohm	C μF	R Ohm	C μF	R Ohm
47					0.15	10
100			0.33	10	0.1	20
220			0.15	22	0.03	47
					3	
500			0.06	51	0.01	110
			8		5	
100	3.0	11	0.03	100		
0			3			

Transient and Noise Suppression

Transients arise internally from normal circuit operation or externally from the environment. The latter is particularly frustrating because the transient characteristics are undefined. A statistical description applies. Greater or smaller stresses are possible. Long duration high voltage transients are much less probable than those of lower amplitude and higher frequency. Environments with infrequent lightning and load switching see transient voltages below 3.0 kV.

The natural frequencies and impedances of indoor ac wiring result in damped oscillatory surges with typical frequencies ranging from 30 kHz to 1.5 MHz. Surge amplitude depends on both the wiring and the source of surge energy. Disturbances tend to die out at locations far away from the source. Spark-over (6.0 kV in indoor ac wiring) sets the maximum voltage when transient suppressors are not present. Transients closer to service entrance or in heavy wiring have higher amplitudes, longer durations, and more damping because of the lower inductance at those locations.

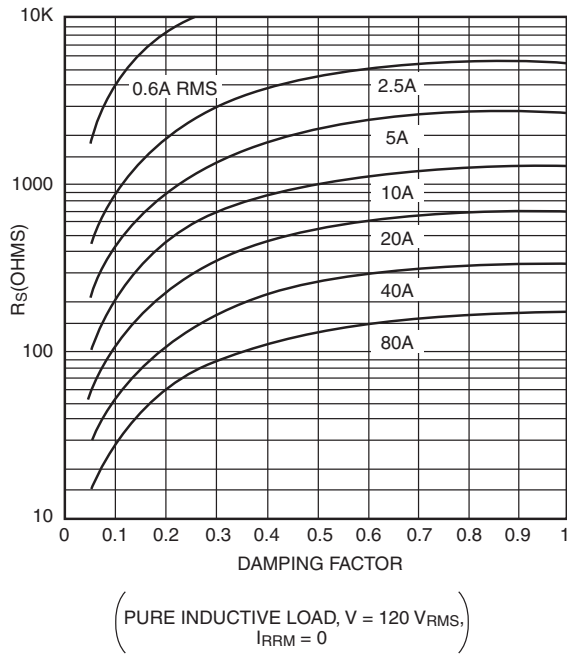


Figure 29. Snubber Resistor For $(\frac{dV}{dt})_C = 5.0 V/\mu s$

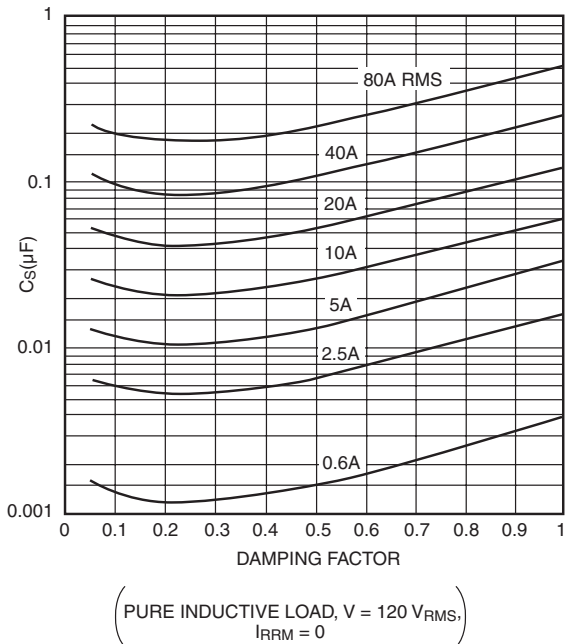


Figure 30. Snubber Capacitor For $(\frac{dV}{dt})_C = 5.0 V/\mu s$

The simple CRL snubber is a low pass filter attenuating frequencies above its natural resonance. A steady state sinusoidal input voltage results in a sine wave output at the same frequency. With no snubber resistor, the rate of roll off approaches 12 dB per octave. The corner frequency is at the snubber's natural resonance. If the damping factor is low, the response peaks at this frequency. The snubber resistor degrades filter characteristics introducing an up-turn at $\omega = 1/(RC)$. The roll-off approaches 6.0 dB/octave at frequencies above this. Inductance in the snubber resistor further reduces the roll-off rate.

Figure 32 describes the frequency response of the circuit in Figure 27. Figure 31 gives the theoretical response to a 3.0 kV 100 kHz ring-wave. The snubber reduces peak voltage across the thyristor. However, the fast rise input causes a high $\frac{dV}{dt}$ step when series inductance is added to the snubber resistor. Limiting the input voltage with a transient suppressor reduces the step.

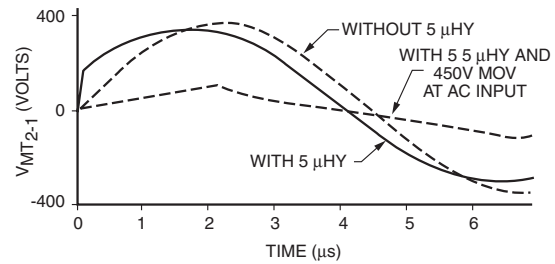


Figure 31. Theoretical Response of Figure 33 Circuit to 3.0 kV IEEE 587 Ring Wave ($R_{SC} = 27.5 \Omega$)

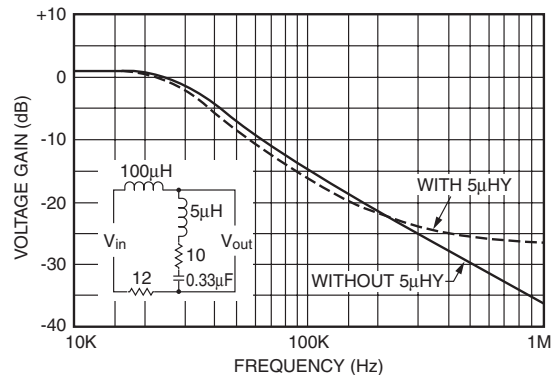


Figure 32. Snubber Frequency Response $(\frac{V_{out}}{V_{in}})$

The noise induced into a circuit is proportional to $\frac{dV}{dt}$ when coupling is by stray capacitance, and $\frac{dI}{dt}$ when the coupling is by mutual inductance. Best suppression requires the use of a voltage limiting device along with a rate limiting CRL snubber. The thyristor is best protected by preventing turn-on from $\frac{dV}{dt}$ or breakover. The circuit should be designed for what can happen instead of what normally occurs.

In Figure 30, a MOV connected across the line protects many parallel circuit branches and their loads. The MOV defines the maximum input voltage and $\frac{dI}{dt}$ through the load. With the snubber it sets the maximum $\frac{dV}{dt}$ and peak voltage across the thyristor. The MOV must be large because there is little surge limiting impedance to prevent its burn-out.

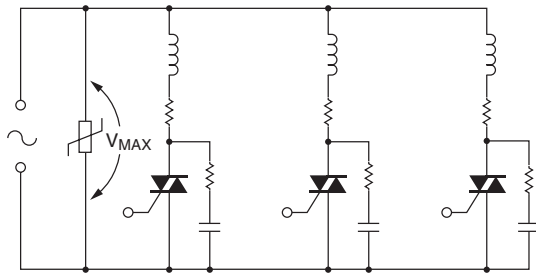


Figure 33. Limiting Line Voltage

In Figure 32, there is a separate suppressor across each thyristor. The load impedance limits the surge energy delivered from the line. This allows the use of a smaller device but omits load protection. This arrangement protects each thyristor when its load is a possible transient source.

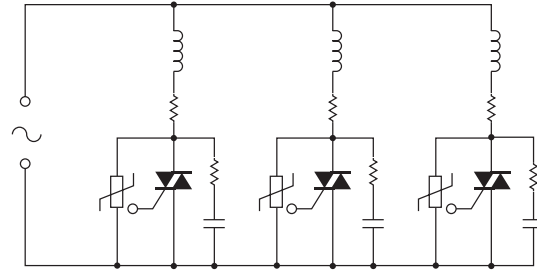


Figure 34. Limiting Thyristor Voltage

It is desirable to place the suppression device directly across the source of transient energy to prevent the induction of energy into other circuits. However, there is no protection for energy injected between the load and its controlling thyristor. Placing the suppressor directly across each thyristor positively limits maximum voltage and snubber discharge $\frac{dI}{dt}$.

Examples of Snubber Applications

In Figure 35, TRIACs switch a 3 phase motor on and off and reverse its rotation. Each TRIAC pair functions as a SPDT switch. The turn-on of one TRIAC applies the differential voltage between line phases across the blocking device without the benefit of the motor impedance to constrain the rate of voltage rise. The inductors are added to prevent static $\frac{dV}{dt}$ firing and a line-to-line short.

Figure 36 shows a split phase capacitor-run motor with reversing accomplished by switching the capacitor in series with one or the other winding. The forward and reverse TRIACs function as a SPDT switch. Reversing the motor applies the voltage on the capacitor abruptly across the blocking thyristor. Again, the inductor L is added to prevent $(\frac{dV}{dt})_s$ firing of the blocking TRIAC. If turn-on occurs, the forward and reverse TRIACs short the capacitors (C_s) resulting in damage to them. It is wise to add the resistor R_s to limit the discharge current.

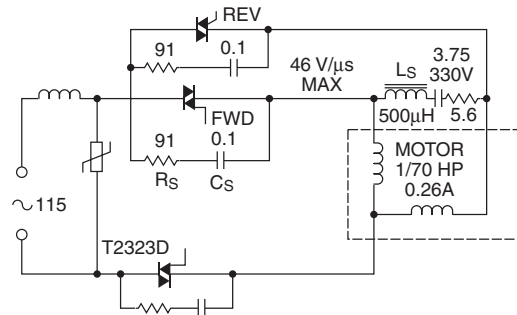


Figure 36. Split Phase Reversing Motor

Figure 37 shows a “tap changer.” This circuit allows the operation of switching power supplies from a 120 or 240 vac line. When the TRIAC is on, the circuit functions as a conventional voltage doubler with diodes D_1 and D_2 conducting on alternate half-cycles. In this mode of operation, inrush current and $\frac{dI}{dt}$ are hazards to TRIAC reliability. Series impedance is necessary to prevent damage to the TRIAC.

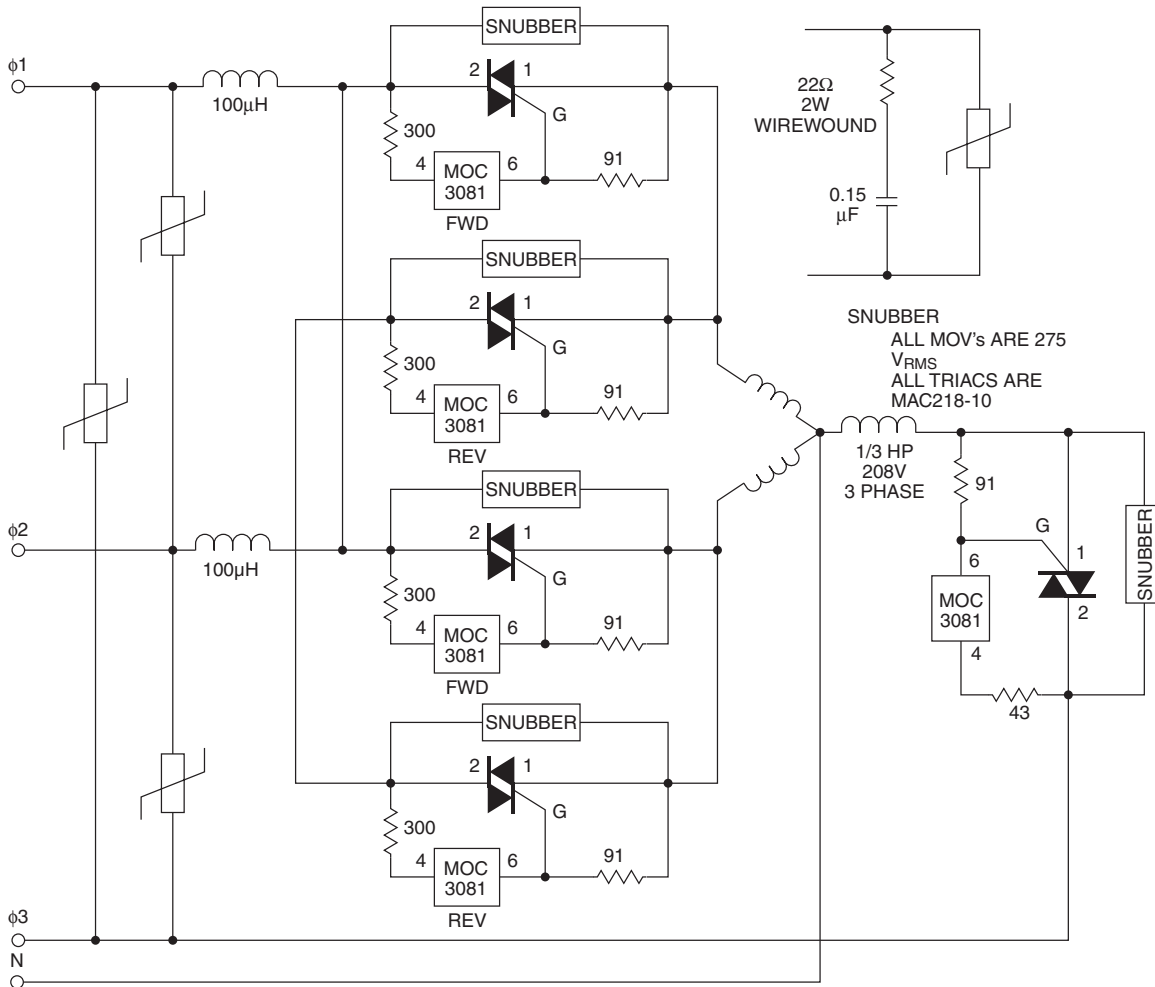


Figure 35. 3 Phase Reversing Motor

The TRIAC is off when the circuit is not doubling. In this state, the TRIAC sees the difference between the line voltage and the voltage at the intersection of C1 and C2. Transients on the line cause $\left(\frac{dV}{dt}\right)_s$ firing of the TRIAC. High inrush current, $\frac{dI}{dt}$ and overvoltage damage to the filter capacitor are possibilities. Prevention requires the addition of a RC snubber across the TRIAC and an inductor in series with the line.

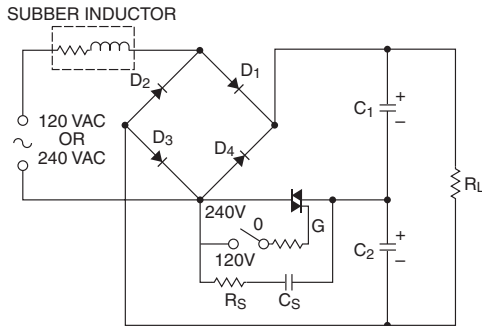


Figure 37. Tap Changer For Dual Voltage Switching Power Supply

Thyristor Types

Sensitive gate thyristors are easy to turn-on because of their low trigger current requirements. However, they have less $\frac{dV}{dt}$ capability than similar non-sensitive devices. A non-sensitive thyristor should be used for high $\frac{dV}{dt}$.

TRIAC commutating $\frac{dV}{dt}$ ratings are 5 to 20 times less than static $\frac{dV}{dt}$ ratings.

Phase controllable optocouplers have lower $\frac{dV}{dt}$ ratings than zero crossing optocouplers and power TRIACS. These should be used when a dc voltage component is present, or to prevent turn-on delay.

Zero crossing optocouplers have more $\frac{dV}{dt}$ capability than power thyristors; and they should be used in place of phase controllable devices in static switching applications.

Appendix A

Testing Snubber Discharge $\frac{dI}{dt}$

The equations in Appendix D do not consider the thyristor's turn-on time or on-state resistance, thus, they predict high values of $\frac{dI}{dt}$.

Figure 38 shows the circuit used to test snubber discharge $\frac{dI}{dt}$. A MBS4991 supplies the trigger pulse while the quadrants of operation are switch selectable. The snubber was mounted as close to the TRIAC under test as possible to reduce inductance, and the current transformer remained in the circuit to allow results to be compared with the measured $\frac{dI}{dt}$ value.

What should the peak capacitor voltage be? A conservative approach is to test at maximum rated V_{DRM} , or the clamp voltage of the MOV.

What is the largest capacitor that can be used without limiting resistance? Figure 39 is a photo showing the the current pulse resulting from a 0.001 μF capacitor charged to 800 V.

The 1200 $\text{A}/\mu\text{s}$ $\frac{dI}{dt}$ destroyed the TRIAC.

Is it possible for MOV self-capacitance to damage the TRIAC? A large 40 Joule, 2200 A peak current rated MOV was tested. The MOV measured 440 pF and had an 878 volt breakover voltage. Its peak discharge current (12 A) was half that of a 470 pF capacitor. This condition was safe.

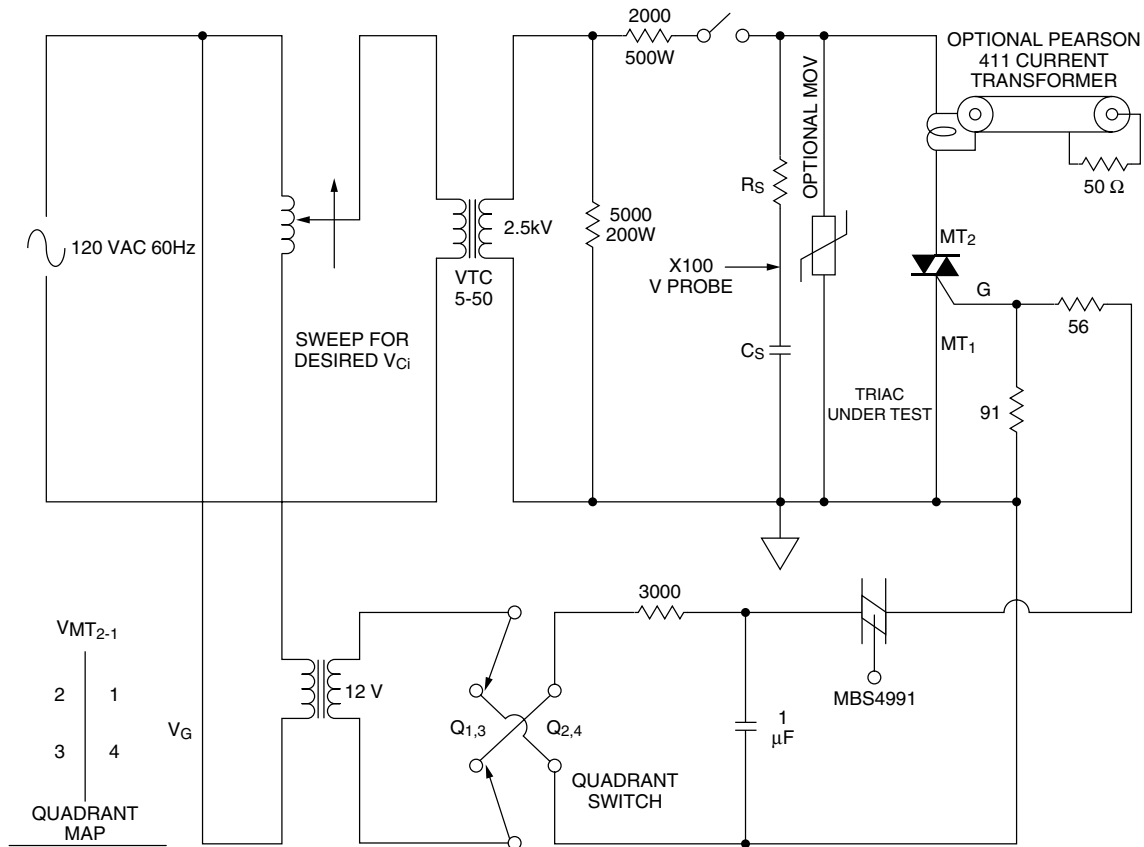
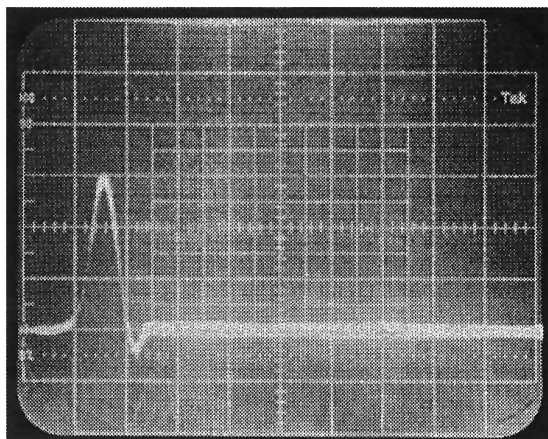


Figure 38. Snubber Discharge $\frac{dI}{dt}$ Test



HORIZONTAL SCALE – 50 ms/DIV.
 VERTICAL SCALE – 10 A/DIV.
 $C_S = 0.001 \mu F$, $V_{CI} = 800 V$, $R_S = 0$, $L = 250 mH$, $R_{TRIAC} = 10 OHMS$

Figure 39. Discharge Current From 0.001 μF Capacitor

Appendix B

Measuring $\left(\frac{dV}{dt}\right)_s$

Figure 40 shows a test circuit for measuring the static $\frac{dV}{dt}$ of power thyristors. A 1000 volt FET switch insures that the voltage across the device under test (D.U.T.) rises rapidly from zero. A differential preamp allows the use of a N-channel device while keeping the storage scope chassis at ground for safety purposes. The rate of voltage rise is adjusted by a variable RC time constant. The charging resistance is low to avoid waveform distortion because of the thyristor's self-capacitance but is large enough to prevent damage to the D.U.T. from turn-on $\frac{dI}{dt}$. Mounting the miniature range switches, capacitors, and G-K network close to the device under test reduces stray inductance and allows testing at more than 10 kV/ μs .

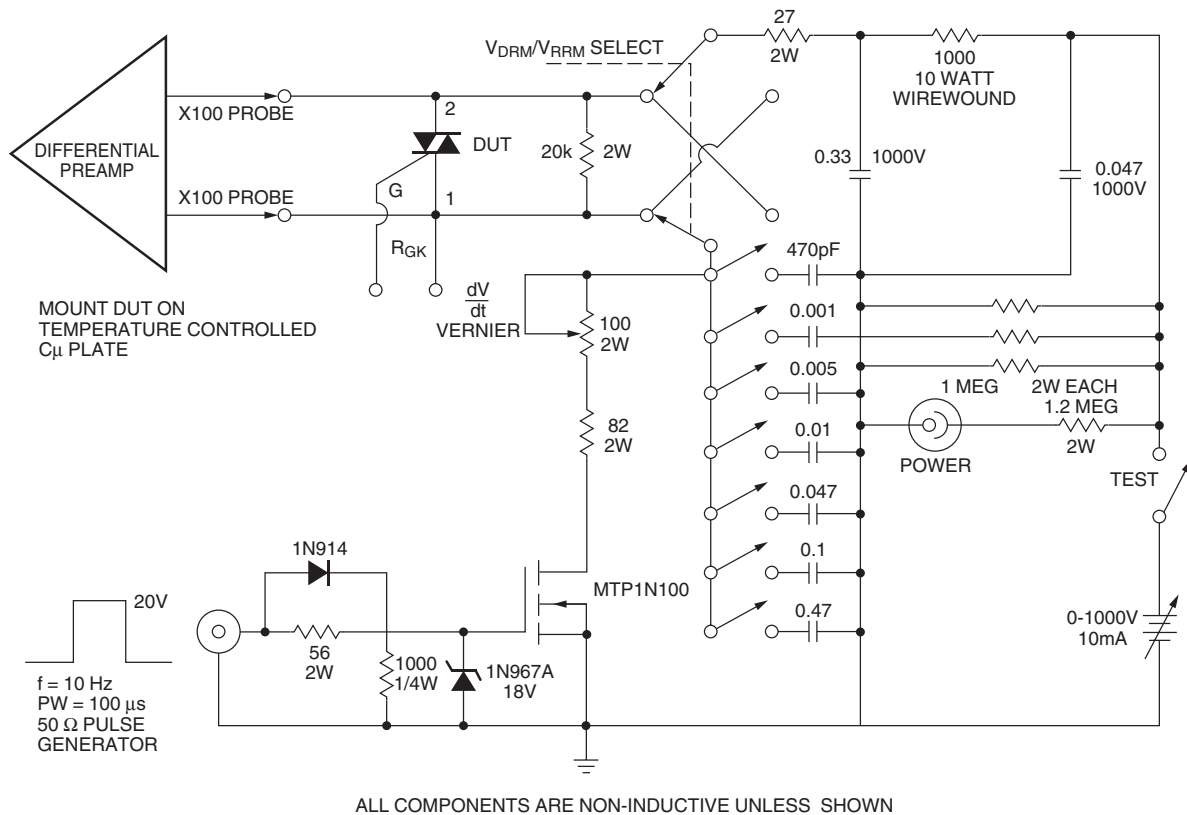


Figure 40. Circuit For Static $\frac{dV}{dt}$ Measurement of Power Thyristors

Appendix C Measuring $\left(\frac{dV}{dt}\right)_c$

A test fixture to measure commutating $\frac{dV}{dt}$ is shown in Figure 41. It is a capacitor discharge circuit with the load series resonant. The single pulse test aids temperature control and allows the use of lower power components. The limited energy in the load capacitor reduces burn and shock hazards. The conventional load and snubber circuit provides recovery and damping behaviors like those in the application.

The voltage across the load capacitor triggers the D.U.T. It terminates the gate current when the load capacitor voltage crosses zero and the TRIAC current is at its peak.

Each V_{DRM} , I_{TM} combination requires different components. Calculate their values using the equations given in Figure 41.

Commercial chokes simplify the construction of the necessary inductors. Their inductance should be adjusted by increasing the air gap in the core. Removal of the magnetic pole piece reduces inductance by 4 to 6 but extends the current without saturation.

The load capacitor consists of a parallel bank of 1500 Vdc non-polar units, with individual bleeders mounted at each capacitor for safety purposes.

An optional adjustable voltage clamp prevents TRIAC breakdown.

To measure $\left(\frac{dV}{dt}\right)_c$, synchronize the storage scope on the current waveform and verify the proper current amplitude and period. Increase the initial voltage on the capacitor to compensate for losses within the coil if necessary. Adjust the snubber until the device fails to turn off after the first half-cycle. Inspect the rate of voltage rise at the fastest passing condition.

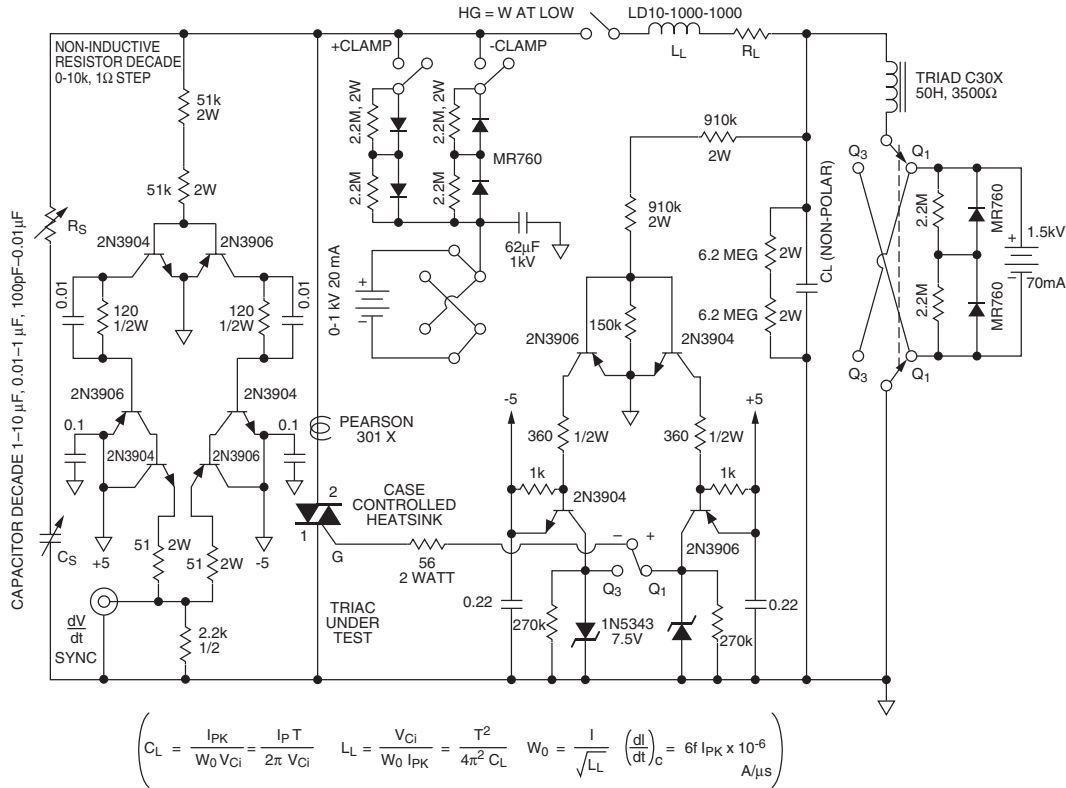


Figure 41. $\left(\frac{dV}{dt} \right)_C$ Test Circuit for Power TRIACs

Appendix D $\frac{dV}{dt}$ Derivations

Definitions

- 1.0 $R_T = R_L + R_S =$ Total Resistance
- 1.1 $M = \frac{R_S}{R_T} =$ Snubber Divider Ratio
- 1.2 $\omega_0 = \frac{1}{\sqrt{LC_S}} =$ Undamped Natural Frequency
 $\omega =$ Damped Natural Frequency
- 1.3 $\alpha = \frac{R_T}{2L} =$ Wave Decrement Factor
- 1.4 $\chi^2 = \frac{1/2LI^2}{1/2CV^2} = \frac{\text{Initial Energy In Inductor}}{\text{Final Energy In Capaitor}}$
- 1.5 $\chi = \frac{I}{E\sqrt{C}} =$ Initial Current Factor
- 1.6 $\rho = \frac{R_T}{2}\sqrt{\frac{C}{L}} = \frac{\alpha}{\omega_0} =$ Damping Factor
- 1.7 $V_{O_L} = E - R_S I =$ Initial voltage drop at $t = 0$ across the load

- 1.8 $\xi = \frac{I}{C_S} - \frac{ER_L}{L}$
 $\left(\frac{dV}{dt}\right)_0 = \text{initial instantaneous } \frac{dV}{dt} \text{ at } t = 0, \text{ ignoring any instantaneous voltage step at } t = 0 \text{ because of } I_{RRM}$
- 1.9 $\left(\frac{dV}{dt}\right)_0 = V_{OL} \frac{R_T}{L} + \xi$. For All Damping Conditions
- 2.0 When $I = 0$, $\left(\frac{dV}{dt}\right)_0 = \frac{ER_S}{L}$
 $\left(\frac{dV}{dt}\right)_{\max} = \text{Maximum Instantaneous } \frac{dV}{dt}$
 $t_{\max} = \text{Time of maximum instantaneous } \frac{dV}{dt}$
 $t_{\text{peak}} = \text{Time of maximum instantaneous peak voltage across thyristor}$
 Average $\frac{dV}{dt} = V_{PK}/t_{PK} = \text{Slope of the secant line from } t = 0 \text{ through } V_{PK}$
 $V_{PK} = \text{Maximum instantaneous voltage across the thyristor.}$

Constants (depending on the damping factor):

- 2.1 No Damping ($\rho = 0$)
 $\omega = \omega_0$
 $R_T = \alpha = \rho = 0$
- 2.2 Underdamped ($0 < \rho < 1$)
 $\omega = \sqrt{\omega_0^2 - \alpha^2} = \omega_0 \sqrt{1 - \rho^2}$
- 2.3 Critial Damped ($\rho = 1$)
 $\alpha = \omega_0, \omega = 0, R = 2\sqrt{\frac{L}{C}}, C = \frac{2}{\alpha R_T}$
- 2.4 Overdamped ($\rho > 1$)
 $\omega = \sqrt{\alpha^2 - \omega_0^2} = \omega_0 \sqrt{\rho^2 - 1}$

Laplace transforms for the current and voltage in Figure 42 are:

$$3.0 \quad i_{(s)} = \frac{E/L + SI}{S^2 + S\frac{R_T}{L} + \frac{1}{LC}}; \quad e = \frac{E}{S} - \frac{SV_{OL} - \xi}{S^2 + \frac{R_T}{L}S + \frac{1}{LC}}$$

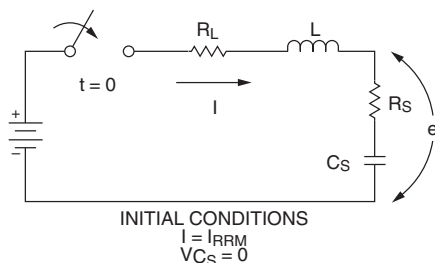


Figure 42. Equivalent Circuit for Load and Snubber

The inverse laplace transform for each of the conditions gives:

Underdamped (Typical Snubber Design)

$$4.0 \quad e = E - V_{OL} \left[\cos(\omega t) - \frac{\alpha}{\omega} \sin(\omega t) \right] e^{-\alpha t} + \frac{\xi}{\omega} \sin(\omega t) e^{-\alpha t}$$

$$4.1 \quad \frac{de}{dt} = V_{OL} \left[2\alpha \cos(\omega t) + \frac{(\omega^2 - \alpha^2)}{\omega} \sin(\omega t) \right] e^{-\alpha t} + \xi \left[\cos(\omega t) - \frac{\alpha}{\omega} \sin(\omega t) \right] e^{-\alpha t}$$

$$4.2 \quad t_{PK} = \frac{1}{\omega} \tan^{-1} \left[- \frac{2\alpha V_{OL} + \xi}{V_{OL} \left(\frac{\omega^2 - \alpha^2}{\omega} \right) - \frac{\xi \alpha}{\omega}} \right]$$

When $M = 0$, $R_S = 0$, $I = 0$; $\omega t_{PK} = \pi$

$$4.3 \quad V_{PK} = E + \frac{\alpha}{\omega_0} - \alpha t_{PK} \sqrt{\omega_0^2 V_{OL}^2 + 2\alpha \xi V_{OL} + \xi^2}$$

When $I = 0$, $R_L = 0$, $M = 1$:

$$4.4 \quad \frac{V_{PK}}{E} = (1 + e^{-\alpha t_{PK}})$$

$$\text{Average } \frac{dV}{dt} = \frac{V_{PK}}{t_{PK}}$$

$$4.5 \quad t_{max} = \frac{1}{\omega} \text{ATN} \left[\frac{\omega(2\alpha\xi - V_{OL}(\omega^2 - 3\alpha^2))}{V_{OL}(\alpha^3 - 3\alpha\omega^2) + \xi(\alpha^2 - \omega^2)} \right]$$

$$4.6 \quad \left(\frac{dV}{dt} \right)_{max} = \sqrt{V_{OL}^2 \omega_0^2 + 2\alpha \xi V_{OL} + \xi^2} e^{-\alpha t_{max}}$$

No Damping

$$5.0 \quad e = E(1 - \cos(\omega_0 t)) + \frac{I}{C\omega_0} \sin(\omega_0 t)$$

$$5.1 \quad \frac{de}{dt} = E\omega_0 \sin(\omega_0 t) + \frac{I}{C} \cos(\omega_0 t)$$

$$5.2 \quad \left(\frac{dV}{dt} \right)_0 = \frac{I}{C} = 0 \text{ when } I = 0$$

$$5.3 \quad t_{PK} = \frac{\pi - \tan^{-1} \left(\frac{I}{CE\omega_0} \right)}{\omega_0}$$

$$5.4 \quad V_{PK} = E + \sqrt{E^2 + \frac{I^2}{\omega_0^2 C^2}}$$

$$5.5 \quad \left(\frac{dV}{dt} \right)_{AVG} = \frac{V_{PK}}{t_{PK}}$$

$$5.6 \quad t_{max} = \frac{I}{\omega_0} \left[\tan^{-1} \left(\frac{\omega_0 EC}{I} \right) \right] = \frac{I}{\omega_0} \frac{\pi}{2} \text{ when } I = 0$$

$$5.7 \quad \left(\frac{dV}{dt} \right)_{max} = \frac{I}{C} \sqrt{E^2 \omega_0^2 C^2 + I^2} = \omega_0 E \text{ when } I = 0$$

Critical Damping

$$6.0 \quad e = E - V_{OL}(1 - \alpha t)e^{-\alpha t} + \xi t e^{-\alpha t}$$

$$6.1 \quad \frac{de}{dt} = [\alpha V_{OL}(2 - \alpha t) + \xi(1 - \alpha t)]e^{-\alpha t}$$

$$6.2 \quad t_{PK} = \frac{2 + \frac{\xi}{2V_{OL}}}{\alpha + \frac{\xi}{V_{OL}}}$$

$$6.3 \quad V_{PK} = E - [V_{OL}(1 - \alpha t_{PK}) - \xi t_{PK}]e^{-\alpha t_{PK}}$$

$$6.4 \quad \text{Average } \frac{dV}{dt} = \frac{V_{PK}}{t_{PK}}$$

When $I = 0$, $R_S = 0$, $M = 0$

$e(t)$ rises asymptotically to E . t_{PK} and average $\frac{dV}{dt}$ do not exist.

$$6.5 \quad t_{max} = \frac{3\alpha V_{OL} + 2\xi}{\alpha^2 V_{OL} + \alpha\xi}$$

When $I = 0$, $t_{max} = 0$

For $\frac{R_S}{R_T} \geq 3/4$

then $\frac{dV}{dt}_{max} = \left(\frac{dV}{dt}\right)_0$

$$6.6 \quad \left(\frac{dV}{dt}\right)_{max} = [\alpha V_{OL}(2 - \alpha t_{max}) + \xi(1 - \alpha t_{max})]e^{-\alpha t_{max}}$$

Appendix E

Snubber Discharge $\frac{dI}{dt}$ Derivations

Overdamped

$$1.0 \quad i = \frac{V_{CS}}{\omega L_S} \alpha^{-\alpha t} \sinh(\omega t)$$

$$1.1 \quad i_{PK} = V_{CS} \sqrt{\frac{C_S}{L_S}} e^{-\alpha t_{PK}}$$

$$1.2 \quad t_{PK} = \frac{1}{\omega} \tanh^{-1} \left[\frac{\omega}{\alpha} \right]$$

Critical Damped

$$2.0 \quad i = \frac{V_{CS}}{L_S} t e^{-\alpha t}$$

$$2.1 \quad i_{PK} = 0.736 \frac{V_{CS}}{R_S}$$

$$2.2 \quad t_{PK} = \frac{1}{\alpha}$$

Underdamped

$$3.0 \quad i = \frac{V_{C_S}}{\omega L_S} e^{-\alpha t} \sin(\omega t)$$

$$3.1 \quad i_{PK} = V_{C_S} \sqrt{\frac{C_S}{L_S}} e^{-\alpha t_{PK}}$$

$$3.2 \quad t_{PK} = \frac{1}{\omega} \tan^{-1} \left[\frac{\omega}{\alpha} \right]$$

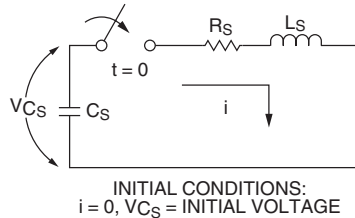


Figure 43. Equivalent Circuit for Snubber Discharge

No Damping

$$4.0 \quad i = \frac{V_{C_S}}{\omega L_S} \sin(\omega t)$$

$$4.1 \quad i_{PK} = V_{C_S} \sqrt{\frac{C_S}{L_S}}$$

$$4.2 \quad t_{PK} = \frac{\pi}{2\omega}$$

Bibliography

Bird, B. M. and K. G. King. *An Introduction To Power Electronics*. John Wiley & Sons, 1983, pp. 250–281.

Blicher, Adolph. *Thyristor Physics*. Springer-Verlag, 1976.

Gempe, Horst. "Applications of Zero Voltage Crossing Optically Isolated TRIAC Drivers," AN982, Motorola Inc., 1987

"Guide for Surge Withstand Capability (SWC) Tests," ANSI 337.90A-1974, IEEE Std 472–1974.

"IEEE Guide for Surge Voltages in Low-Voltage AC Power Circuits," ANSI/IEEE C62.41 -1980, IEEE Std 587–1980

Ikeda, Shigeru and Tsuneo Araki. "The $\frac{di}{dt}$ Capability of Thyristors," *Proceedings of the IEEE*, Vol.53, No.8, August 1967.

Kervin, Doug. "The MOC3011 and MOC3021," EB-101, Motorola Inc., 1982.

McMurray, William. "Optimum Snubbers For Power Semiconductors," *IEEE Transactions On Industry Applications*, Vol.1A-8, September/October 1972.

Rice, L. R. "Why R-C Networks And Which One For Your Converter," Westinghouse Tech Tips 5-2.

"Saturable Reactor For Increasing Turn-On Switching Capability," SCR Manual Sixth Edition, General Electric, 1979.

Zell, H. P. "Design Chart For Capacitor-Discharge Pulse Circuits," *EDN Magazine*, June 10, 1968.

DISCLAIMER

FAIRCHILD SEMICONDUCTOR RESERVES THE RIGHT TO MAKE CHANGES WITHOUT FURTHER NOTICE TO ANY PRODUCTS HEREIN TO IMPROVE RELIABILITY, FUNCTION OR DESIGN. FAIRCHILD DOES NOT ASSUME ANY LIABILITY ARISING OUT OF THE APPLICATION OR USE OF ANY PRODUCT OR CIRCUIT DESCRIBED HEREIN; NEITHER DOES IT CONVEY ANY LICENSE UNDER ITS PATENT RIGHTS, NOR THE RIGHTS OF OTHERS.

LIFE SUPPORT POLICY

FAIRCHILD'S PRODUCTS ARE NOT AUTHORIZED FOR USE AS CRITICAL COMPONENTS IN LIFE SUPPORT DEVICES OR SYSTEMS WITHOUT THE EXPRESS WRITTEN APPROVAL OF THE PRESIDENT OF FAIRCHILD SEMICONDUCTOR CORPORATION. As used herein:

1. Life support devices or systems are devices or systems which, (a) are intended for surgical implant into the body, or (b) support or sustain life, or (c) whose failure to perform when properly used in accordance with instructions for use provided in the labeling, can be reasonably expected to result in significant injury to the user.
2. A critical component is any component of a life support device or system whose failure to perform can be reasonably expected to cause the failure of the life support device or system, or to affect its safety or effectiveness.

ON Semiconductor and  are trademarks of Semiconductor Components Industries, LLC dba ON Semiconductor or its subsidiaries in the United States and/or other countries. ON Semiconductor owns the rights to a number of patents, trademarks, copyrights, trade secrets, and other intellectual property. A listing of ON Semiconductor's product/patent coverage may be accessed at www.onsemi.com/site/pdf/Patent-Marking.pdf. ON Semiconductor reserves the right to make changes without further notice to any products herein. ON Semiconductor makes no warranty, representation or guarantee regarding the suitability of its products for any particular purpose, nor does ON Semiconductor assume any liability arising out of the application or use of any product or circuit, and specifically disclaims any and all liability, including without limitation special, consequential or incidental damages. Buyer is responsible for its products and applications using ON Semiconductor products, including compliance with all laws, regulations and safety requirements or standards, regardless of any support or applications information provided by ON Semiconductor. "Typical" parameters which may be provided in ON Semiconductor data sheets and/or specifications can and do vary in different applications and actual performance may vary over time. All operating parameters, including "Typicals" must be validated for each customer application by customer's technical experts. ON Semiconductor does not convey any license under its patent rights nor the rights of others. ON Semiconductor products are not designed, intended, or authorized for use as a critical component in life support systems or any FDA Class 3 medical devices or medical devices with a same or similar classification in a foreign jurisdiction or any devices intended for implantation in the human body. Should Buyer purchase or use ON Semiconductor products for any such unintended or unauthorized application, Buyer shall indemnify and hold ON Semiconductor and its officers, employees, subsidiaries, affiliates, and distributors harmless against all claims, costs, damages, and expenses, and reasonable attorney fees arising out of, directly or indirectly, any claim of personal injury or death associated with such unintended or unauthorized use, even if such claim alleges that ON Semiconductor was negligent regarding the design or manufacture of the part. ON Semiconductor is an Equal Opportunity/Affirmative Action Employer. This literature is subject to all applicable copyright laws and is not for resale in any manner.

PUBLICATION ORDERING INFORMATION

LITERATURE FULFILLMENT:

Literature Distribution Center for ON Semiconductor
19521 E. 32nd Pkwy, Aurora, Colorado 80011 USA
Phone: 303-675-2175 or 800-344-3860 Toll Free USA/Canada
Fax: 303-675-2176 or 800-344-3867 Toll Free USA/Canada
Email: orderlit@onsemi.com

N. American Technical Support: 800-282-9855 Toll Free
USA/Canada
Europe, Middle East and Africa Technical Support:
Phone: 421 33 790 2910
Japan Customer Focus Center
Phone: 81-3-5817-1050

ON Semiconductor Website: www.onsemi.com
Order Literature: <http://www.onsemi.com/orderlit>
For additional information, please contact your local
Sales Representative